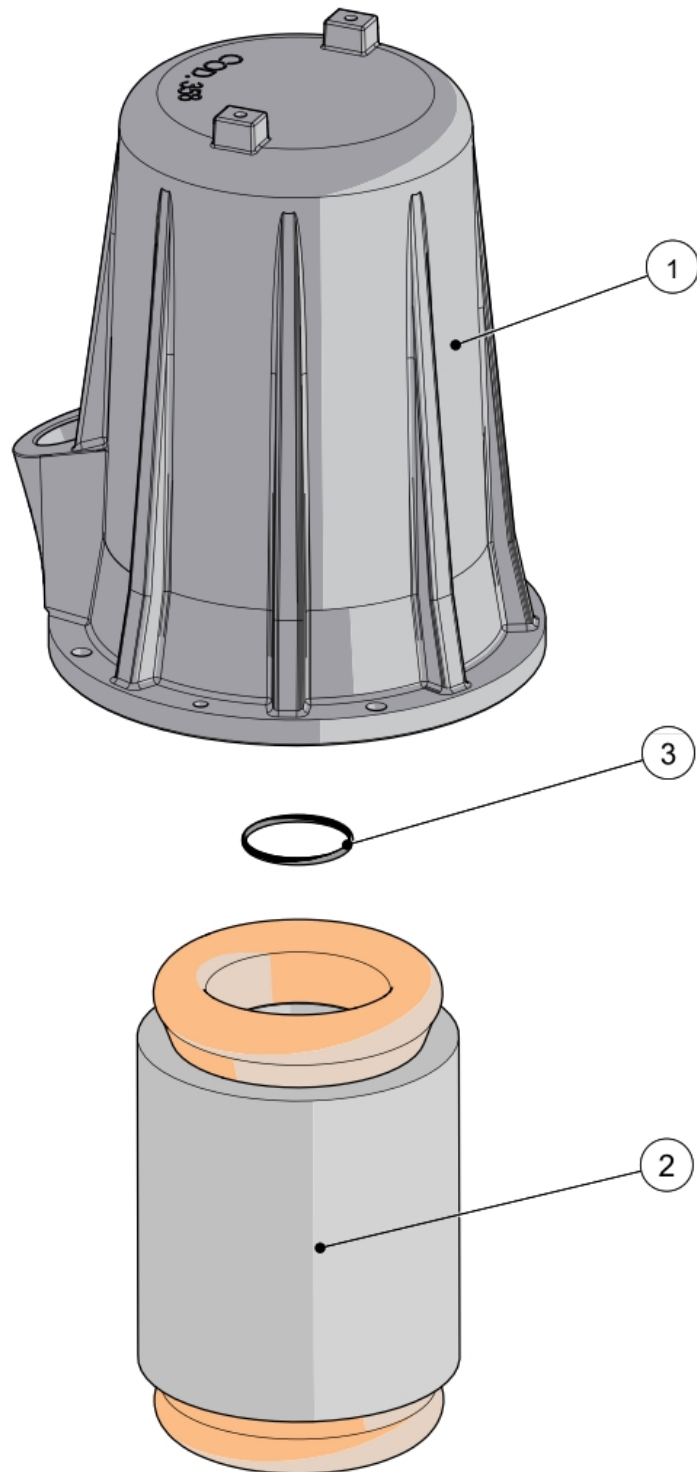


2000037

COMPATTA PRO 50-2/150 M/G 230V/50Hz

Pos	Code	Description	Pcs
01	6100358010	[+] MOTOR CASING Pack	1
02	06003120	Compensation Ring 3 waves Ø34,5	1
03	08514100	Electric Cable Mt.10 H07RN8-F 4x1,5+2x0,50	1
04	06405180	Cable Gland M30X1.5 cod.400	1
05	06508220	Washer 15X27 Sp.2 Cod.196	1
06	07310130	Cable Grommet 12x27 H15 Cod.402	1
07	07007160	Screw UNI 5931 M5x10 A2	1
08	08201120	Terminal blue cap NL 06-PB S.1,5-2,5	5
10	06304100	FASCETTE NYLON 2,5X142 MM. BIANCHE	1
11	6010389120	[+] MOTOR SHAFT Pack	1
12	32403711	Intermediate flange cod.371N	1
13	07300140	Lip Seal SC-15x24 H5 NBR	1
14	07210540	Oring 3168 42,52x2,62 NBR	1
16	07210820	Oring 4462 117,07x3,53 NBR	2
17	07500105	Mechanical seal SIC/CE/Viton MG1S2/14-G1-E1	1
18	06406120	Key Shaft UNI 6604 A 4x4x10 h9 A2	1
19	43003700	Vortex Impeller cod.370 (Ø110)	1
20	06206120	Self locking Nut DIN 982 M10x1,25	1
21	31803730	Body pump Cod. 373N	1
22	07007420	Screw UNI 5931 M6x30 A2	4
23	06404100	Cable Gland Tab cod.405	1
24	07007140	Screw UNI 5931 M4x20 A2	2
A	08700120	Stainless steel Handle cod.200	1
B	06605100	Washer Grower UNI 1751 M5 A2	2
C	07007220	Screw UNI 5931 M5x16 A2	2

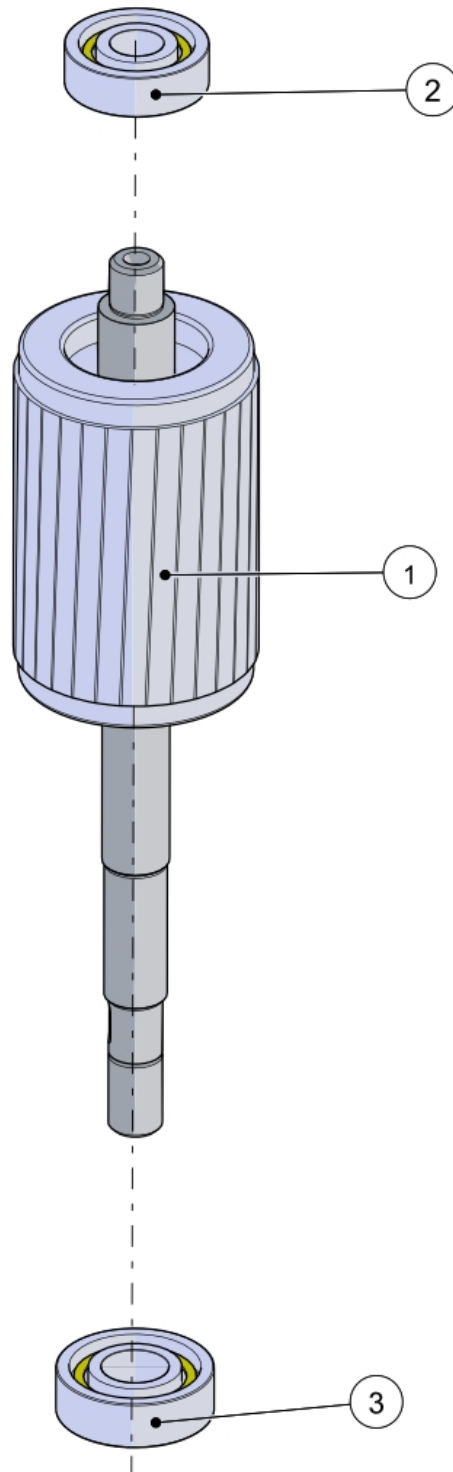


6100358010

[+] MOTOR CASING Pack

---

Pos	Code	Description	Pcs
01	51003580	Motor casing cod.358	1
02	3520200210	Stator 110x55 H120 MF.V230 - 50Hz - 2 Poli	1
03	07210520	Oring 3137 34,59x2,62 NBR	1



6010389120

[+] MOTOR SHAFT Pack

---

Pos	Code	Description	Pcs
01	4010389120	Motor Shaft (cod.389N) + Rotor (54,4x17 H120)	1
02	07706300	Bearing Code 6202-2Z	1
03	07706580	Bearing Code 6302-2Z	1