

**General Data**

Model:	AT 65/2/125 C.236
Code:	2000102
Series:	A2
Weight [Kg]	43.00

Submersible eletropumps for wastewater including sewage

**Hydraulic**

Impeller Type:	-
Delivery DN [mm]:	DN65 PN10
Input DN [mm]:	65
Free Passage [mm]:	40
Impeller Ø [mm]:	128
Max Pump Efficiency [%]:	0.0
Global Efficiency [%]:	0.57
Head [m]:	9.89
Flow [m <sup>3</sup> /h]:	28.80

*Tolerance according to ISO 9906:2012 3B2*



Attention: pictures for illustrative purposes

**Features**

Upper Meccanical seal:	CA/CE/Viton
Lower Meccanical Seal:	SIC/SIC/Viton
Upper Bearing:	Single raw ball bearing
Lower Bearing:	Double raw ball bearing
IP Protection:	IP68
Motor protection:	present
Humidity sensor:	present
ATEX:	not present
Applied Paint:	Two component water-based paint
Cable Length [m]:	10
Lubricating Oil:	Q8 WF15
Oil Quantity [Kg]:	0.60

**Materials**

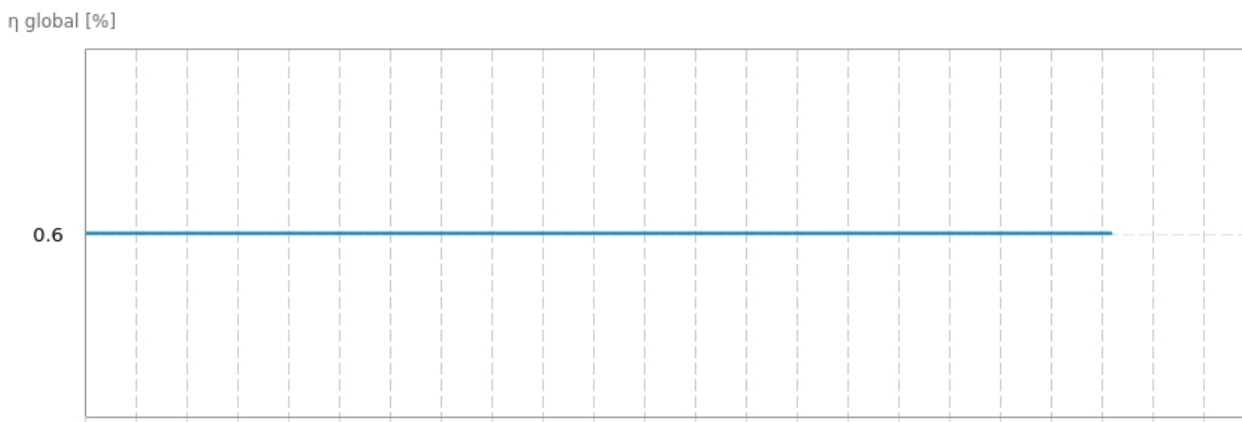
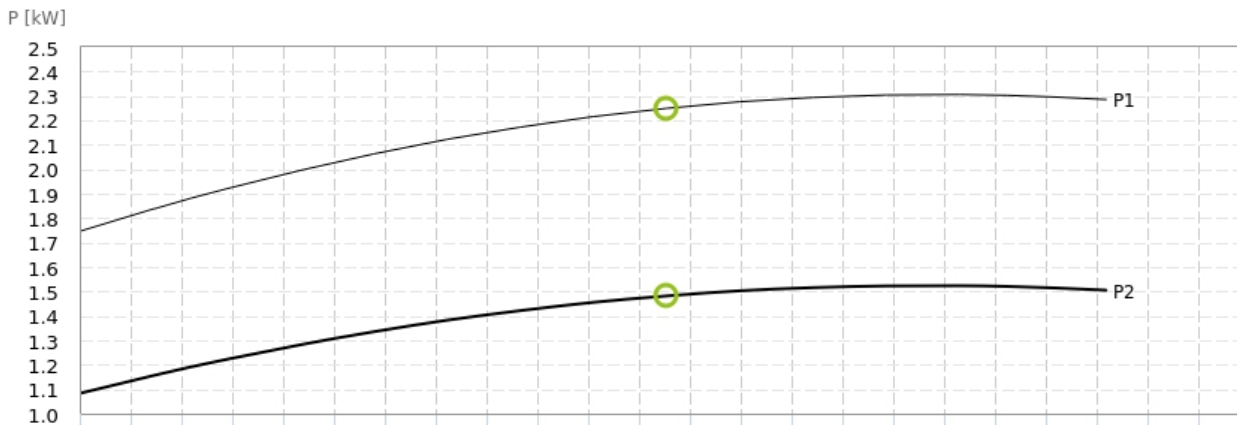
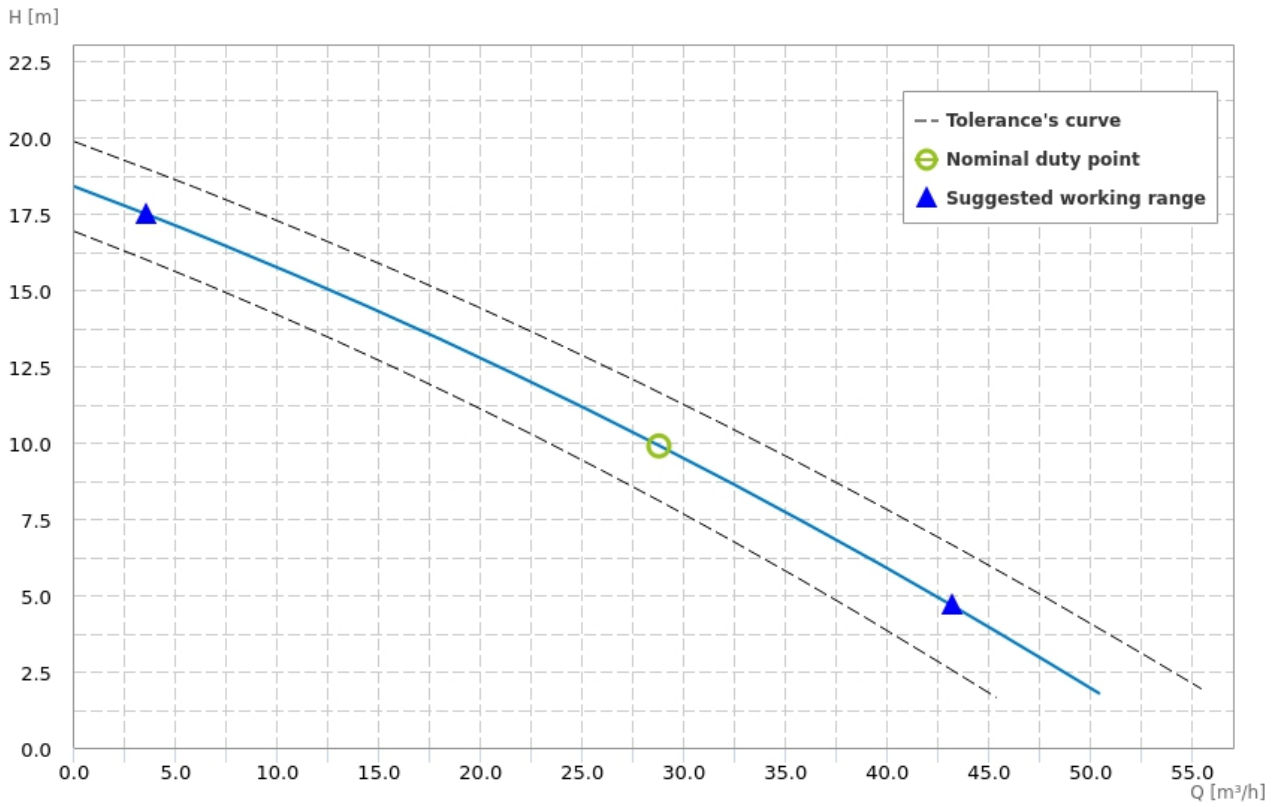
Pump:	-
Impeller:	-
Motor shaft:	-
Cooling Jacket:	Not available
Screw:	Stainless steel A2-70
Cable:	H07RN8F

**Pumped Liquid**

Pumped Liquid:	Light and lightly sewage
Density [Kg/dm <sup>3</sup> ]:	1.1
pH:	2023-10-06
Temperature Range:	0-40°C

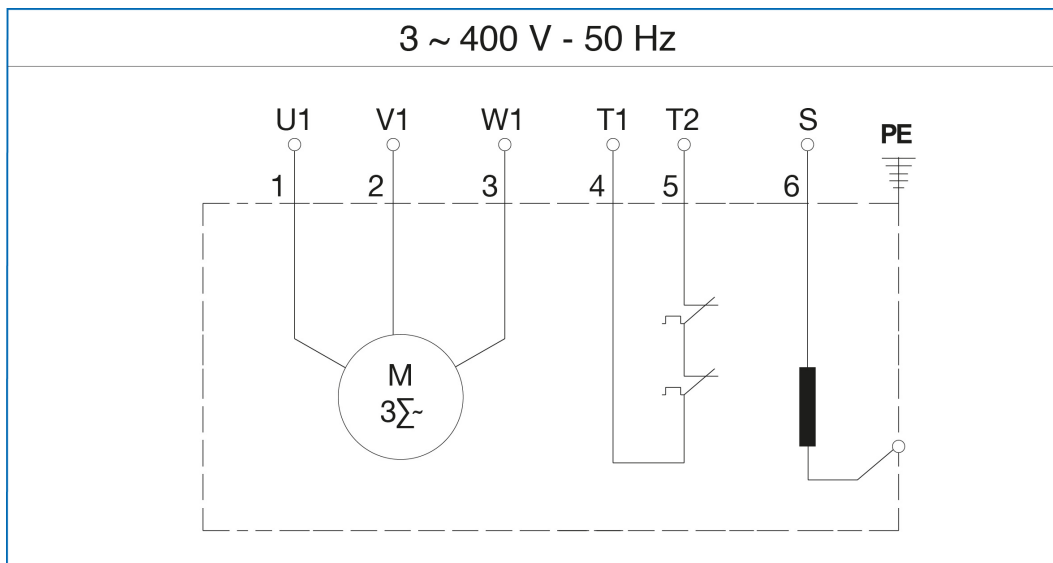
**Installation**

Maximum depth of immersion [m]:	20
Cooling Type:	The cooling of the motor is ensured by the surrounding liquid
Installation:	
Floating on board machine:	not present



**Motor**

Motor code:	3520340210
Power P1 [kW]:	2.30
Power P2 [kW]:	1.50
Phases:	3
Frequency [Hz]:	50
Tension [V]:	400
Nominal current [A]:	3.8
Starting current [%]:	581.0
Power Factor:	0.85
R.P.M.:	2850
Starting:	D.O.L
Capacitor [ $\mu$ F]:	0.0
Insulation Class:	F 155°C
Service type:	S2
Max Efficiency [%]:	74.60
Max Efficiency at full load [%]:	74.5
Efficiency at $\frac{3}{4}$ load [%]:	74.4
Efficiency at $\frac{1}{2}$ load [%]:	74.5
Efficiency class:	-

**Wiring diagrams**

Dimensions drawing

