

General Data

Model:	AT 100/4/152 C.245
Code:	2000164
Series:	A4
Weight [Kg]	75.50
Submersible eletropumps for wastewater including sewage	

Hydraulic

Impeller Type:	-
Delivery DN [mm]:	DN100 PN16
Input DN [mm]:	100
Free Passage [mm]:	75
Impeller Ø [mm]:	-
Max Pump Efficiency [%]:	0.0
Global Efficiency [%]:	0.85
Head [m]:	7.50
Flow [m ³ /h]:	72.00

Tolerance according to ISO 9906:2012 3B2

Features

Upper Meccanical seal:	CA/CE/Viton
Lower Meccanical Seal:	SIC/SIC/Viton
Upper Bearing:	Single raw ball bearing
Lower Bearing:	Double raw ball bearing
IP Protection:	IP68
Motor protection:	present
Humidity sensor:	present
ATEX:	not present
Applied Paint:	Two component water-based paint
Cable Length [m]:	10
Lubricating Oil:	Q8 WF15
Oil Quantity [Kg]:	0.75

Materials

Pump:	-
Impeller:	-
Motor shaft:	-
Cooling Jacket:	Not available
Screw:	Stainless steel A2-70
Cable:	H07RN8F

Pumped Liquid

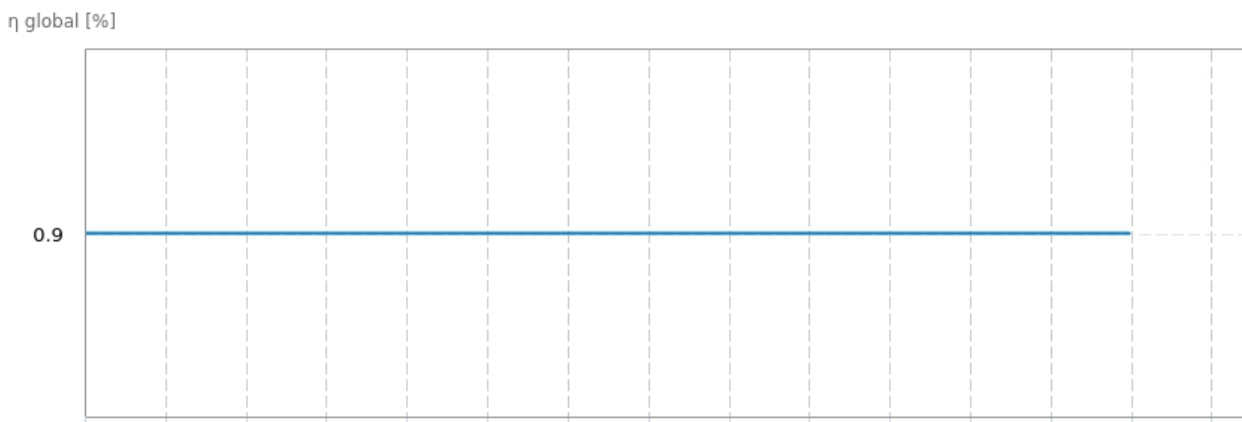
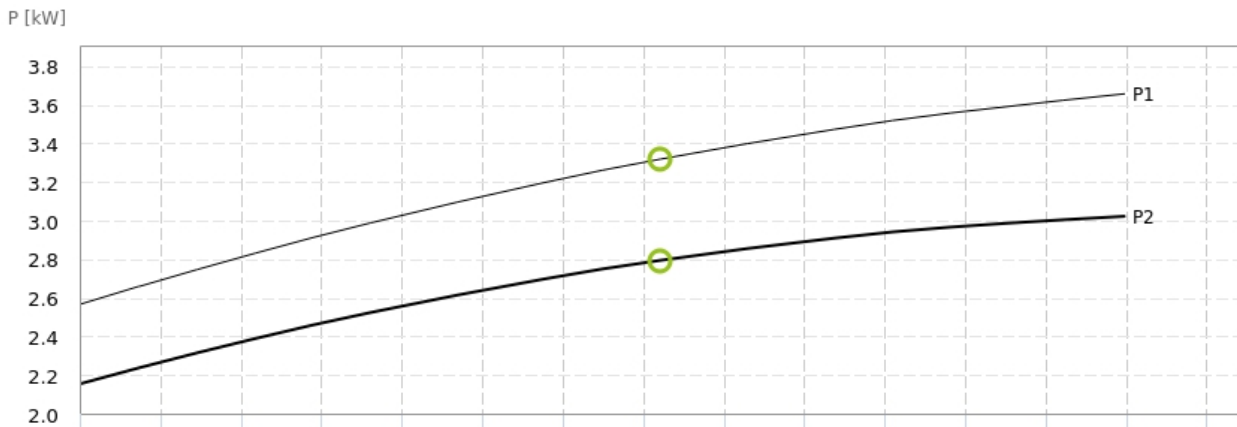
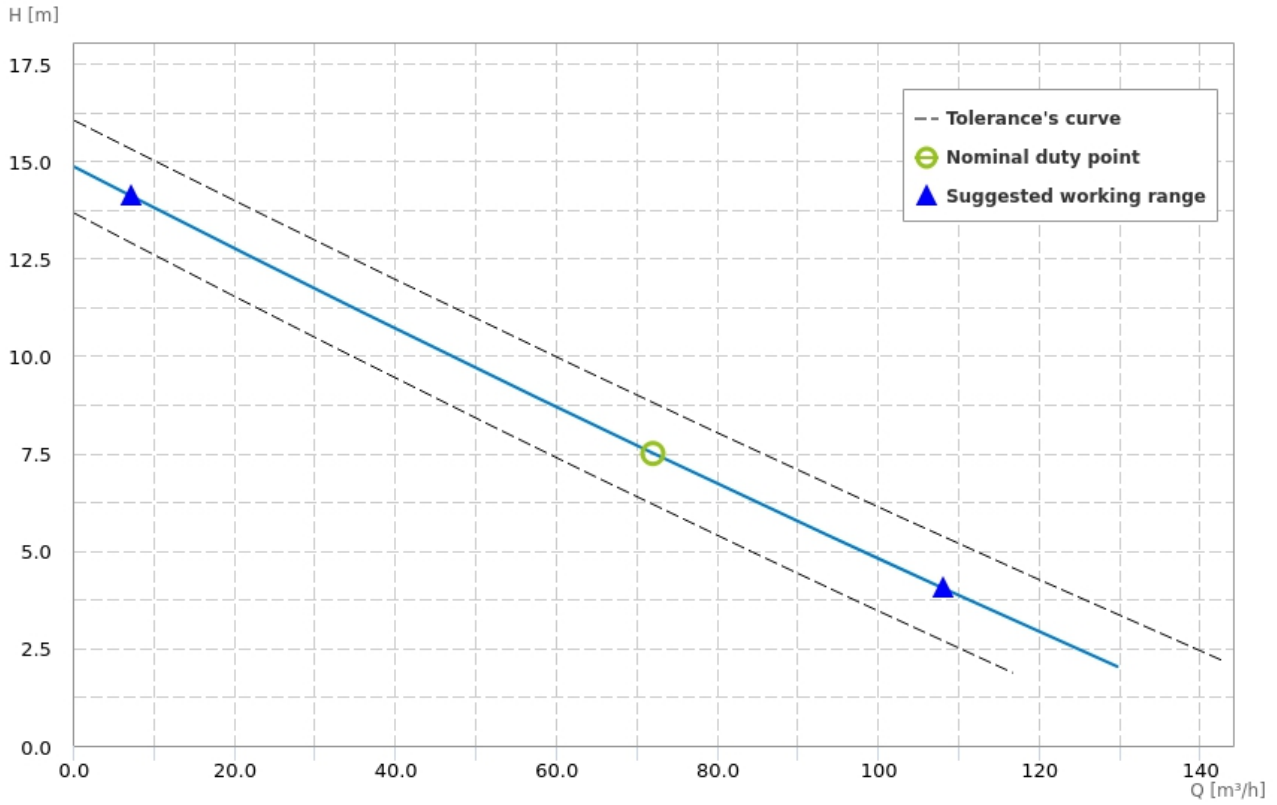
Pumped Liquid:	Light and lightly sewage
Density [Kg/dm ³]:	1.1
pH:	2023-10-06
Temperature Range:	0-40°C

Installation

Maximum depth of immersion [m]:	20
Cooling Type:	The cooling of the motor is ensured by the surrounding liquid
Installation:	
Floating on board machine:	not present

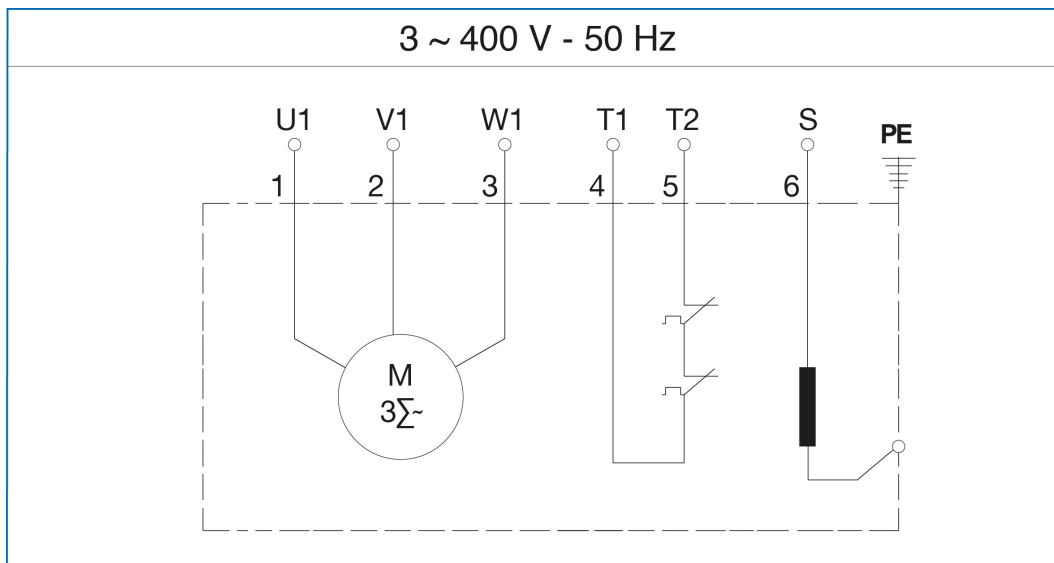


Attention: pictures for illustrative purposes



Motor

Motor code:	3520660210
Power P1 [kW]:	3.80
Power P2 [kW]:	3.00
Phases:	3
Frequency [Hz]:	50
Tension [V]:	400
Nominal current [A]:	7.0
Starting current [%]:	543.0
Power Factor:	0.77
R.P.M.:	1450
Starting:	D.O.L
Capacitor [μ F]:	0.0
Insulation Class:	F 155°C
Service type:	S1
Max Efficiency [%]:	84.30
Max Efficiency at full load [%]:	84.2
Efficiency at $\frac{3}{4}$ load [%]:	84.3
Efficiency at $\frac{1}{2}$ load [%]:	84.1
Efficiency class:	IE2

Wiring diagrams

Dimensions drawing

