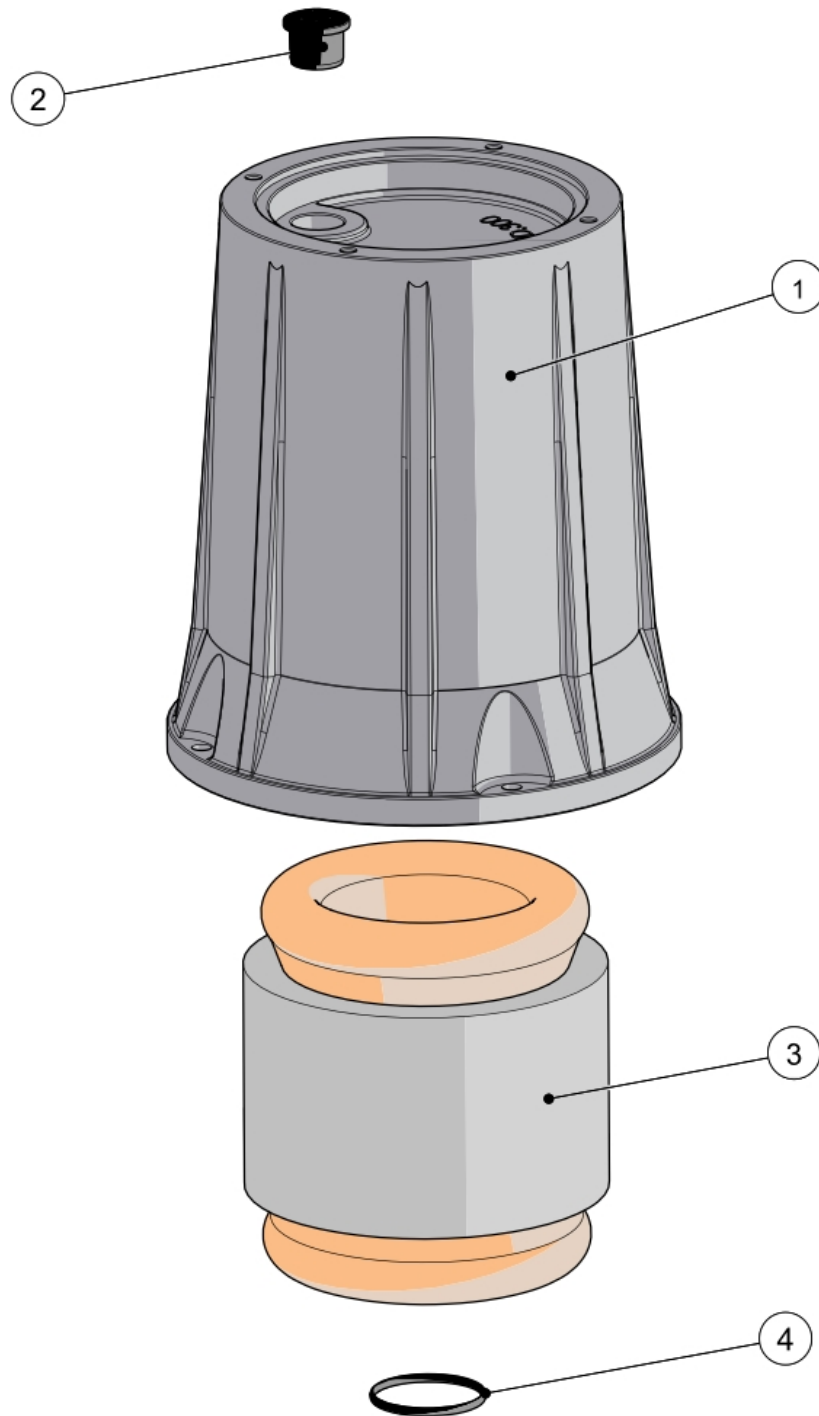


2001600

GRIX 32-2/140 T 400V/50Hz

Pos	Code	Description	Pcs
01	6100305034	[+] MOTOR CASING Pack	1
02	06003100	Compensation Ring 3 waves Ø31,7	1
03	32403970	Intermediate flange cod.397	1
04	07300170	Lip Seal SC-15X28 H6 NBR	1
05	07210540	Oring 3168 42,52x2,62 NBR	1
06	6010364015	ALBERO COD.364 + ROTORE 54,4X17 H100 [C/Cusc.tti Prem.]	1
07	07210860	Oring 4487 123,42x3,53 NBR	1
08	06001140	AVP ring 14X25X2	1
09	07500110	Mechanical seal MG1S2/14-G3 SIC/99CE/MITON/316	1
10	31804100	Body pump Cod. 410	1
11	07007240	Screw UNI 5931 M5X20 A2	4
12	06406135	Key UNI 6604 A4 4x4x25 h9	1
13	43003841	Impeller Code 384 for GRIX 32-2/140	1
14	6203880010	[+] CLOSING DISC Pack	1
15	07210620	Oring 3500 126,67x2,65 NBR	1
16	07007220	Screw UNI 5931 M5x16 A2	3
18	44204240	Rotating grinder part cod.424 [Hardness Treatment 55-60HRC] [r.0]	1
19	06508150	Washer 18x8,5x3 Code 125 AISI 304 A2	1
20	06206110	Self-Blocking Nut UNI 7474 M8x1 A2	1
22	07210183	ORING 117 13,10x2,62 NBR	1
23	06700120	Oil Cap 1/4' GAS DIN 908 cod. 491	1
24	61602520NE301	[+] PUMP COVER Pack	1
25	08201120	Terminal blue cap NL 06-PB S.1,5-2,5	3
27	07210740	Oring 4350 88,49x3,53 NBR	1
28	07007220	Screw UNI 5931 M5x16 A2	4
29	08700115	Nylon Handle	1
30	07007200	Screw UNI 5931 M5x14 A2	2

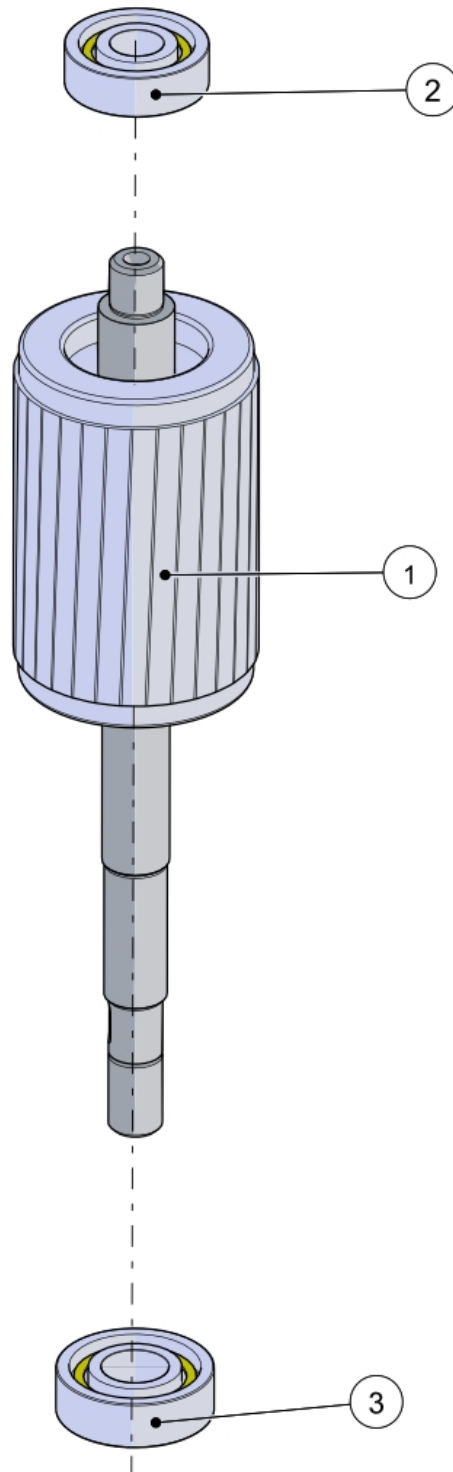


6100305034

[+] MOTOR CASING Pack

---

Pos	Code	Description	Pcs
01	51003050	Motor casing cod.305	1
02	07310100	Separator Cable Grommet cod.283 (6 holes)	1
03	3520180235	Stator 110X55 H100 TF.230/400V-50Hz C.L. (Clockwise)	1
04	07210520	Oring 3137 34,59x2,62 NBR	1

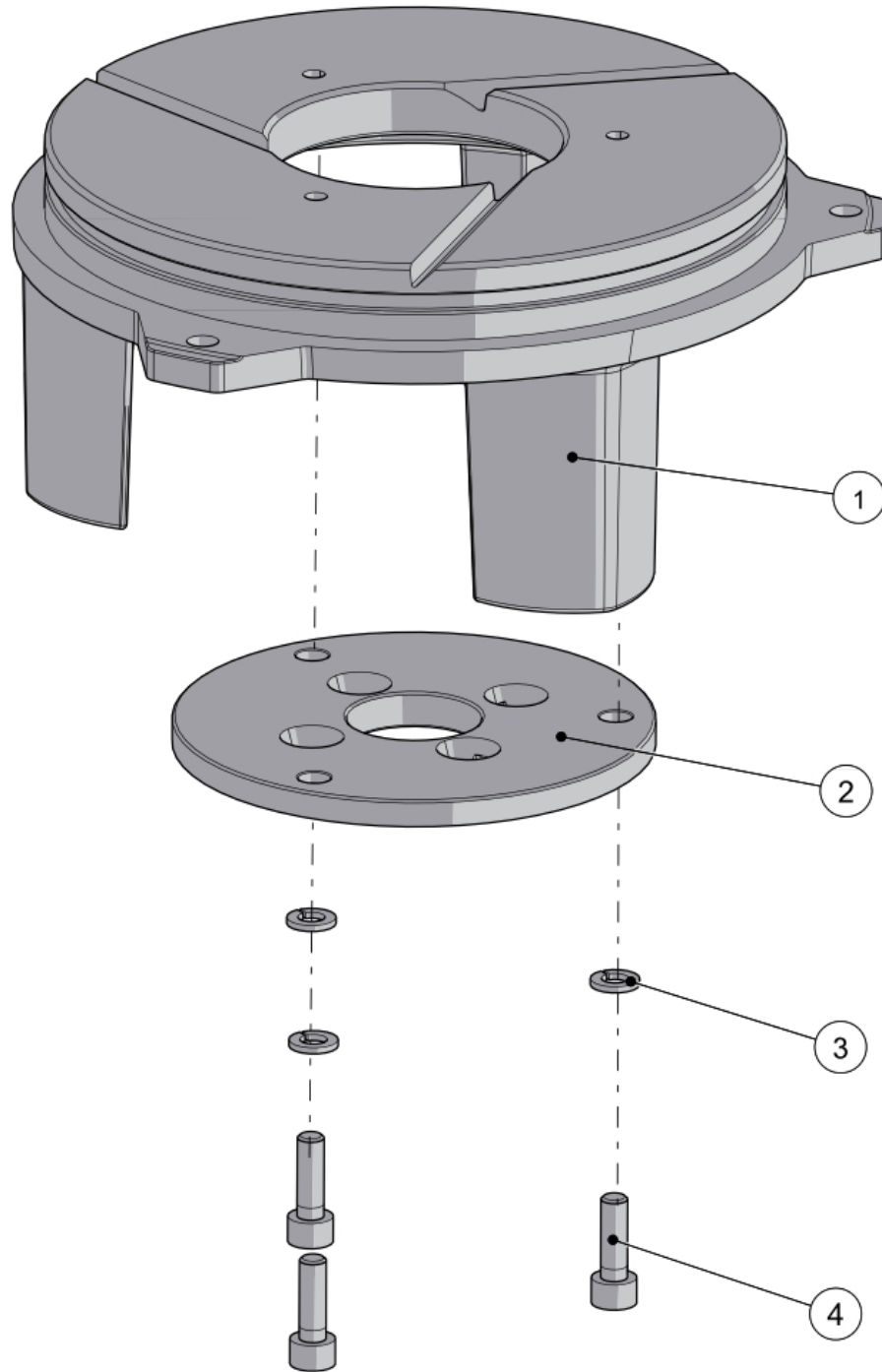


6010364015

ALBERO COD.364 + ROTORE 54,4X17 H100

---

Pos	Code	Description	Pcs
01	4010364015	ALBERO COD.364 + ROTORE 54,4X17 H100	1
02	07706300	Bearing Code 6202-2Z	1
03	07706580	Bearing Code 6302-2Z	1

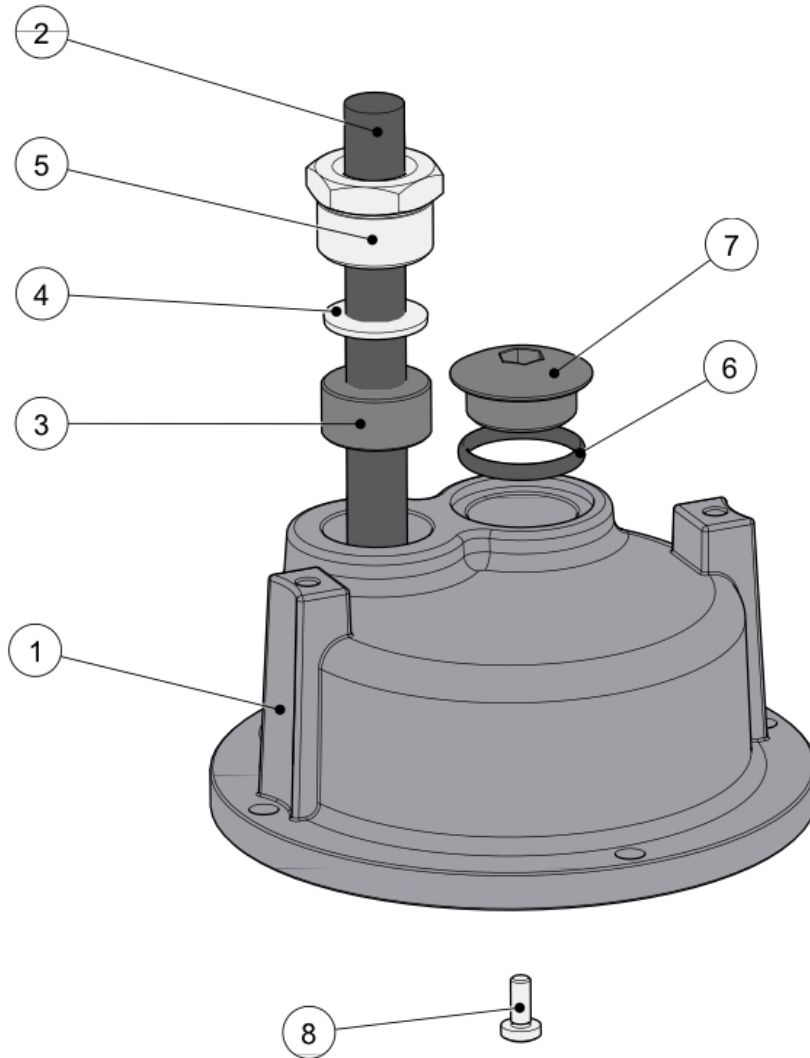


6203880010

[+] CLOSING DISC Pack

---

Pos	Code	Description	Pcs
01	32203880	Closing Plate Cod.388 [Machined] [r.7]	1
02	44204220	Fixed grinder part cod.422 [Hardness Treatment 55-60HRC][r.2]	1
03	06605100	Washer Grower UNI 1751 M5 A2	3
04	07007200	Screw UNI 5931 M5x14 A2	3



61602520NE301

[+] PUMP COVER Pack

Pos	Code	Description	Pcs
01	91602520NE	COPERCHIO MOTORE Cod. 252 [Vern.] NERO	1
02	08510100	Electric Cable mt.10 H07RN8-F 4x1 Ø10	1
03	07340250	GROMMET Cod.4025_ Threephase [Neoprene]	1
04	06508250	WASHER INOX Cod.2032 [AISI 304]	1
05	06405285	CABLE GLAND INOX AISI 416 M24X1 COD.4043 [r.0]	1
06	07210510	ORING 3093 23,47x2,62	1
07	06700150	CAP M24x1 CHARGED NORIL [r.0]	1
08	07005120	Screw UNI 7687 M4x8 A2	1