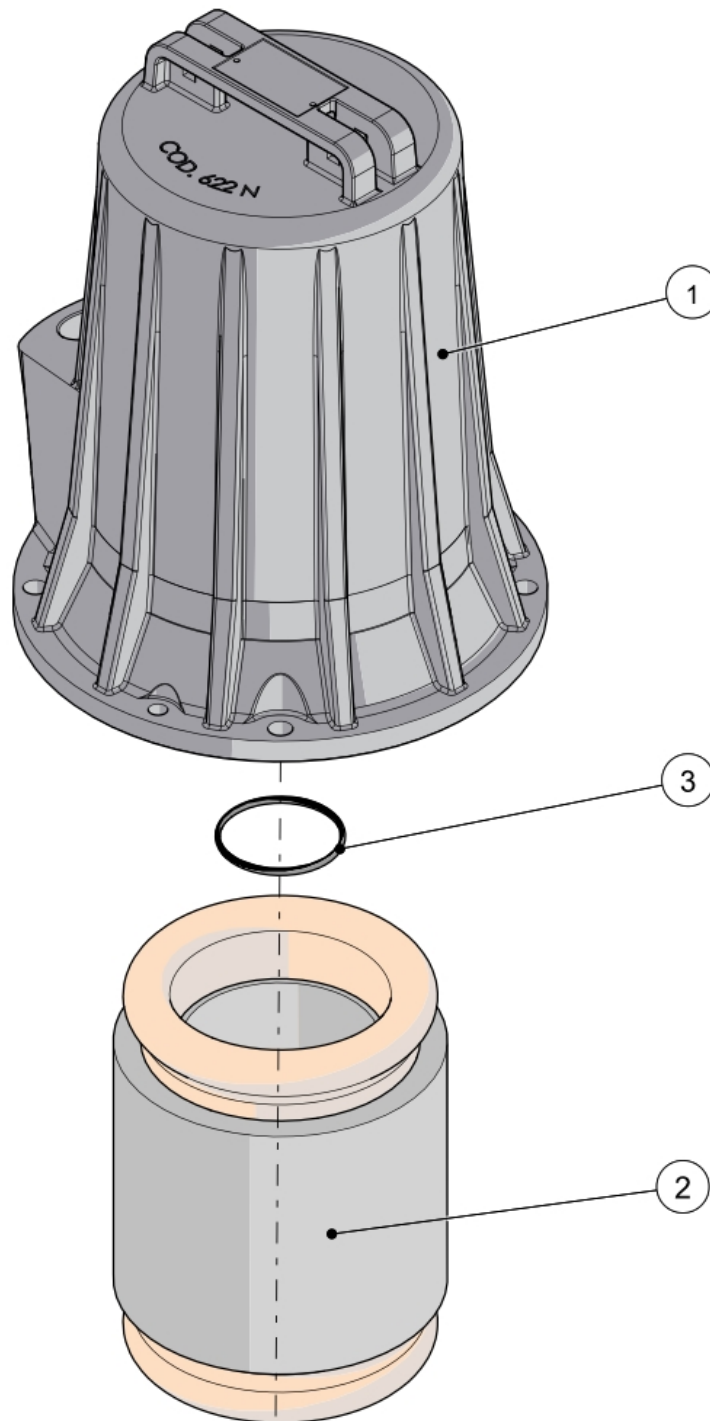


2000054

GT 50/2/125 C.160 400V/50Hz

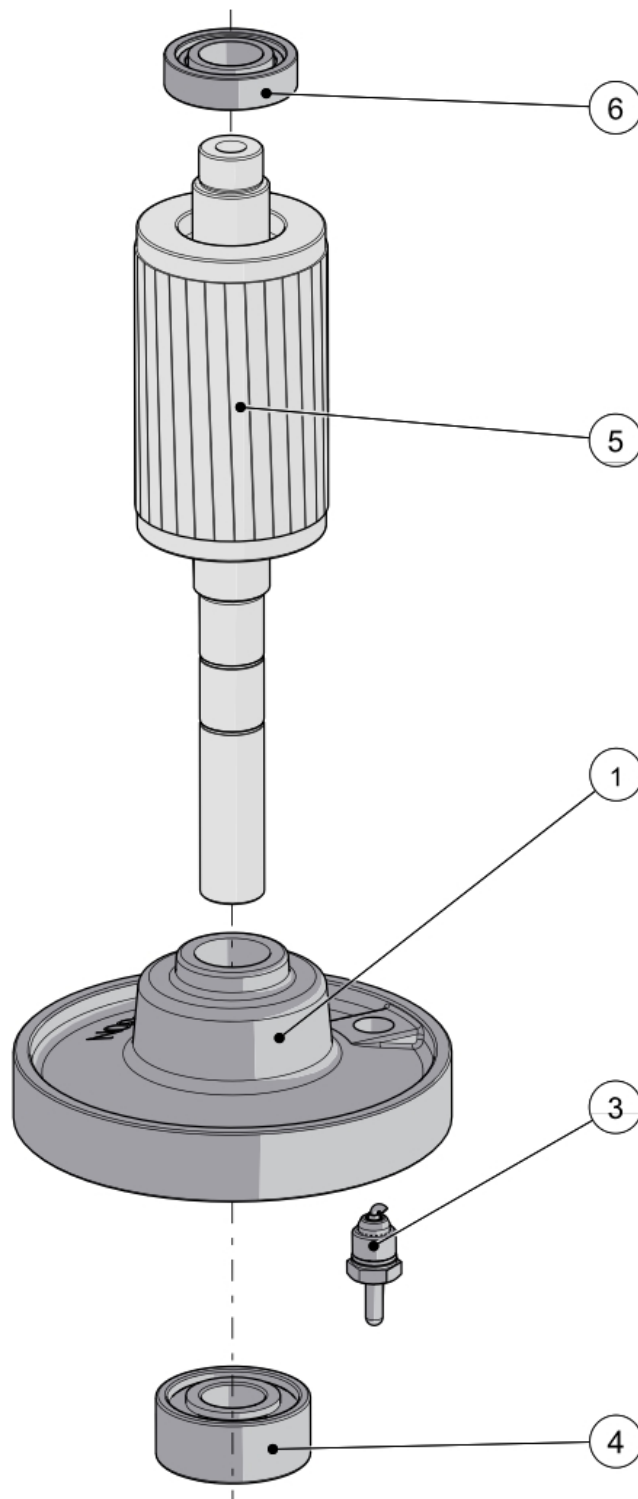
Pos	Code	Description	Pcs
01	6100455124	[+] MOTOR CASING Pack	1
02	08514110	Electric Cable Mt.10 H07RN8-F 4x1,5+3x0,50	1
03	06405200	Cable Gland M33X1.5 cod.401	1
04	06508240	Washer 17,5X30 Sp.2 Cod.195	1
05	07316100	Cable Grommet 31x16 H18 Cod.399	1
06	07007160	Screw UNI 5931 M5x10 A2	1
07	08201120	Terminal blue cap NL 06-PB S.1,5-2,5	5
07	08201110	Terminal white cap NL 06-P S.1,5-2,5	1
11	08202100	Connector RF-BM4 Ø4	1
12	6010444020	[+] MOTOR SHAFT Pack	1
13	07210980	Oring 4600 151,99x3,53 NBR	1
14	06001100	AVP ring 20x28x3 Cod.469	1
15	06100140	Seeger UNI 7435 Ø20 Steel	1
16	07210280	Oring 159 55,56x3,53 NBR	1
17	32804470	Bearing Locking Ring cod.447	1
18	06100540	Seeger UNI 7437 Ø72	1
19	10011223	Mechanical Seal Carbon/Ceramic BT PR/AR Ø20	1
20	06001100	AVP ring 20x28x3 Cod.469	1
21	06100140	Seeger UNI 7435 Ø20 Steel	1
22	31204511	Body pump Cod.451-N	1
23	07007520	Screw UNI 5931 M8x30 A2	4
24	07508180	Mechanical seal SIC/SIC/Viton EMG1S20/20-G26	1
25	06406180	Shaft Key UNI 6604 A 6x6x16 h9 A2	1
26	43004500	Grinder Impeller cod.450 (Ø166) for GM/T C.160	1
27	31404521	Closing plate cod.452N	1
28	07210980	Oring 4600 151,99x3,53 NBR	1
29	06402120	Socket Set Screw UNI 5923 M8 x10 A2	4
30	06605140	Washer Grower UNI 1751 M8 A2	4
31	07007500	Screw UNI 5931 M8x25 A2	4
32	10011242	Kit Fixed & Rotating Cutting Part C.155-160	1
33	06605140	Washer Grower UNI 1751 M8 A2	2
34	07007480	Screw UNI 5931 M8x20 A2	2
35	06108100	Cylindrical Pin UNI 1707 4x20 A2	2
37	06605140	Washer Grower UNI 1751 M8 A2	1
38	07007600	Screw UNI 5931 M8x55 A2	1
40	07210184	ORING 128 20,62x2,62 NBR	1
41	06700100	Oil Cap 1/2" GAS DIN 908 cod. 490	1
42	06002100	Chain Ring 10x22x50 COD. 190	1
43	07007540	Screw UNI 5931 M8x35 A2	1
44	06206100	Self locking Nut UNI 7474 M8	1
45	06404120	Cable Gland Tab cod.406	1
46	07007240	Screw UNI 5931 M5X20 A2	2



6100455124

[+] MOTOR CASING Pack

Pos	Code	Description	Pcs
01	51004551	Motor casing cod.455N	1
02	3520360220	Stator 125X65 H100 TF.230/400V - 50Hz - 2 Poles	1
03	07210660	Oring 4187 47,22x3,53 NBR	1



6010444020

[+] MOTOR SHAFT Pack

Pos	Code	Description	Pcs
01	33404460	Intermediate flange cod.446N	1
03	6250222010	Seal Leak Detector with Oring	1
04	07703100	Bearing 3204B-2ZRTNG	1
05	4010444020	Motor Shaft (cod.444) + Rotor (65x25 H100)	1
06	07706420	Bearing cod.6204-ZZCMDNS7S6	1