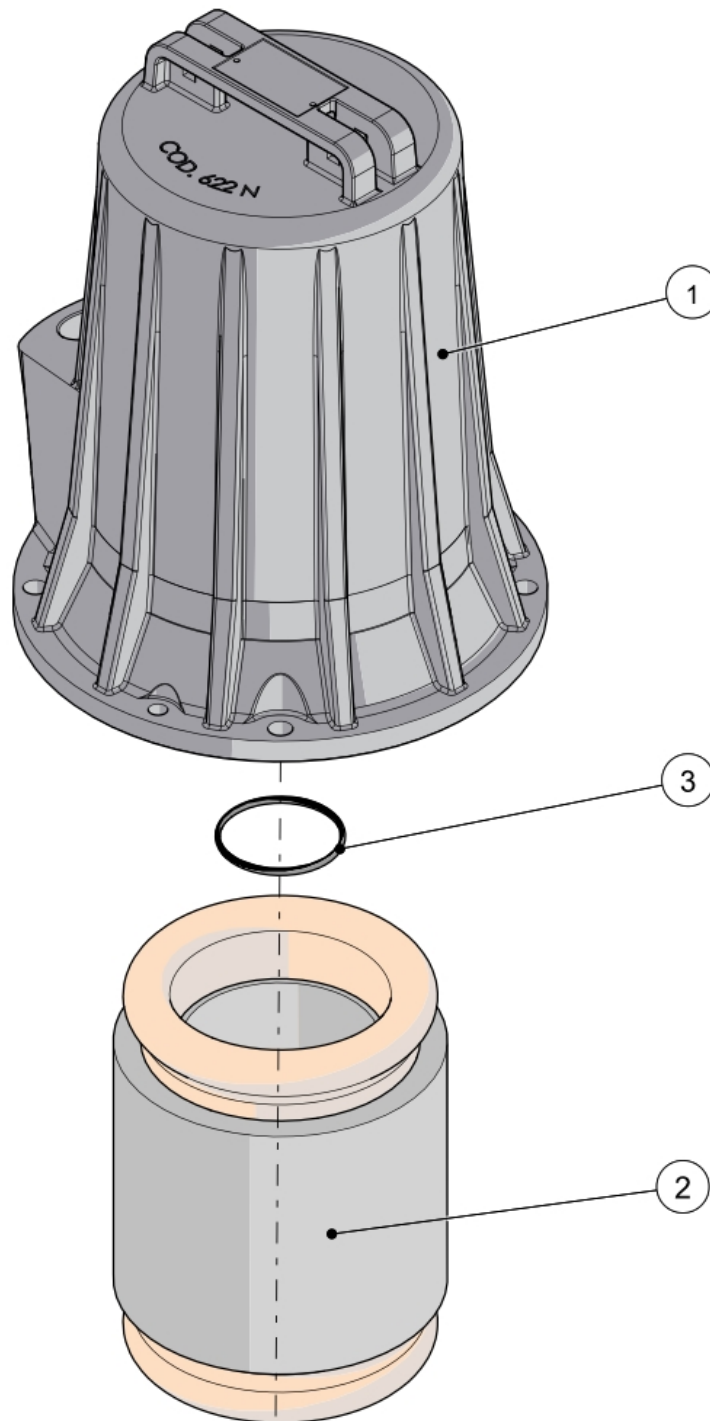


2000056

GT 50/2/152 C.165 400V/50Hz

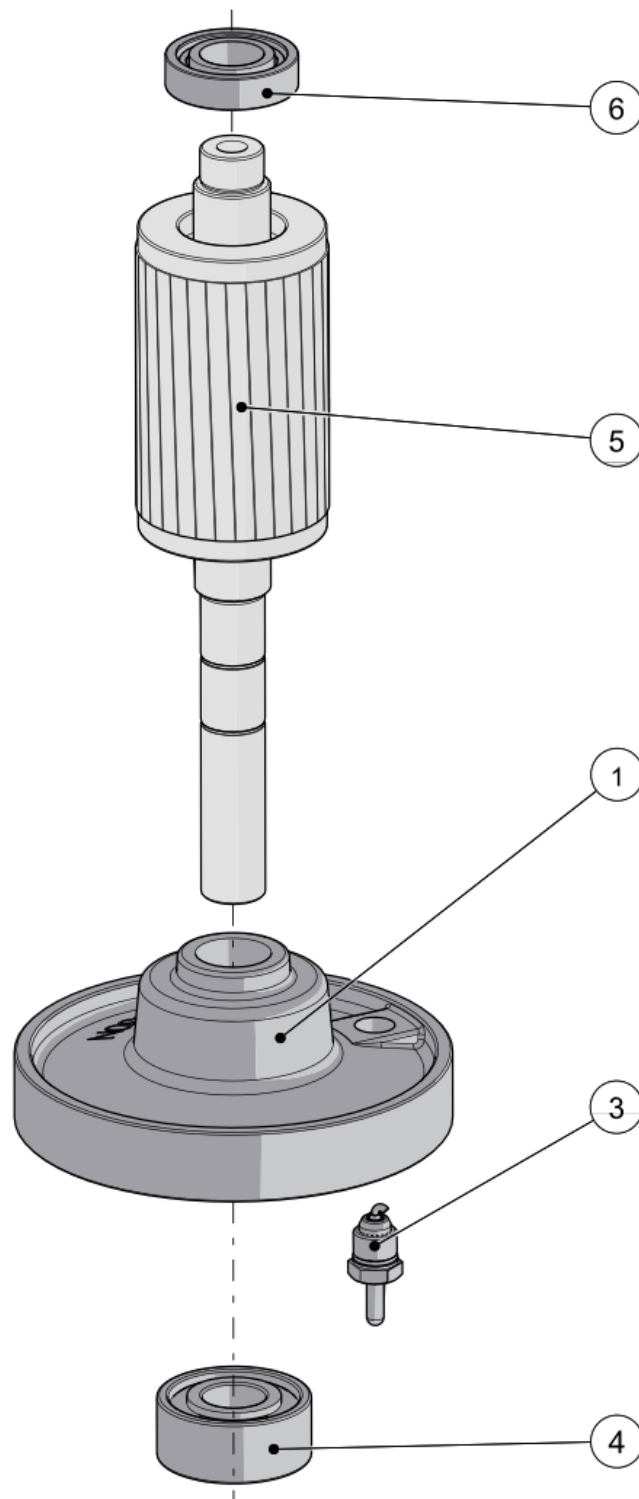
Pos	Code	Description	Pcs
01	6100530010	[+] MOTOR CASING Pack	1
02	08514110	Electric Cable Mt.10 H07RN8-F 4x1,5+3x0,50	1
03	06405200	Cable Gland M33X1.5 cod.401	1
04	06508240	Washer 17,5X30 Sp.2 Cod.195	1
05	07316100	Cable Grommet 31x16 H18 Cod.399	1
06	07007160	Screw UNI 5931 M5x10 A2	1
07	08201120	Terminal blue cap NL 06-PB S.1,5-2,5	2
07	08201110	Terminal white cap NL 06-P S.1,5-2,5	3
07	08201130	Terminal yellow cap NL-1PG S.4-6	1
11	08202100	Connector RF-BM4 Ø4	1
12	6010555005	[+] MOTOR SHAFT Pack	1
13	07211460	Oring 6700 177,17x5,33 NBR	1
14	06001120	AVP ring 25x35x3 Cod. 511	1
15	06100160	Seeger UNI 7435 Ø25	1
16	07210700	Oring 4237 59,92x3,53 NBR	1
17	32805320	Bearing Locking Ring cod.532	1
18	06100560	Seeger UNI 7437 Ø75	1
19	10011224	Mechanical Seal Carbon/Ceramic BT PR/AR Ø25	1
20	06001120	AVP ring 25x35x3 Cod. 511	1
21	06100160	Seeger UNI 7435 Ø25	1
22	31205540	Body pump Cod.554	1
23	07007680	Screw UNI 5931 M10x30 A2	4
24	07502120	Mechanical Seal SIC/SIC/Viton MG1/25-G6	1
25	06406220	Key Shaft UNI 6604 A 8x7x25 h9 A2	1
26	43005572	Grinder Impeller cod. 557N (Ø170)	1
27	31405560	Closing plate cod.556	1
28	07211160	Oring 4725 183,5 x3,53 NBR	1
29	06402120	Socket Set Screw UNI 5923 M8 x10 A2	6
30	06605140	Washer Grower UNI 1751 M8 A2	6
31	07007500	Screw UNI 5931 M8x25 A2	6
32	10011243	Kit Fixed & Rotating Cutting Part C.165-170	1
33	06605160	Washer Grower UNI 1751 M10 A2	2
34	07007660	Screw UNI 5931 M10x25 A2	2
35	06108120	Cylindrical Pin UNI 1707 5x20 A2	2
37	06605160	Washer Grower UNI 1751 M10 A2	1
38	07007720	Screw UNI 5931 M10x65 A2	1
40	07210184	ORING 128 20,62x2,62 NBR	1
41	06700100	Oil Cap 1/2' GAS DIN 908 cod. 490	1
42	06002120	Chain Ring 14x28x62 COD. 191	1
43	07007540	Screw UNI 5931 M8x35 A2	1
44	06206100	Self locking Nut UNI 7474 M8	1
45	06404120	Cable Gland Tab cod.406	1
46	07007240	Screw UNI 5931 M5X20 A2	2



6100530010

[+] MOTOR CASING Pack

Pos	Code	Description	Pcs
01	51005300	Motor casing cod.530	1
02	3520600210	Stator 152X80 H90 TF.230/400V - 50Hz - 2 Poli	1
03	07210260	Oring 156 52,39x3,53 NBR	1



6010555005

[+] MOTOR SHAFT Pack

Pos	Code	Description	Pcs
01	33405310	Intermediate flange cod.531N	1
03	6250222010	Seal Leak Detector with Oring	1
04	07703120	Bearing cod.3205B-2ZRTNG	1
05	4010555005	Motor Shaft (cod.555) + Rotor (80x33 H90)	1
06	07706480	Bearing cod.6205-ZZCMDNS7S6	1