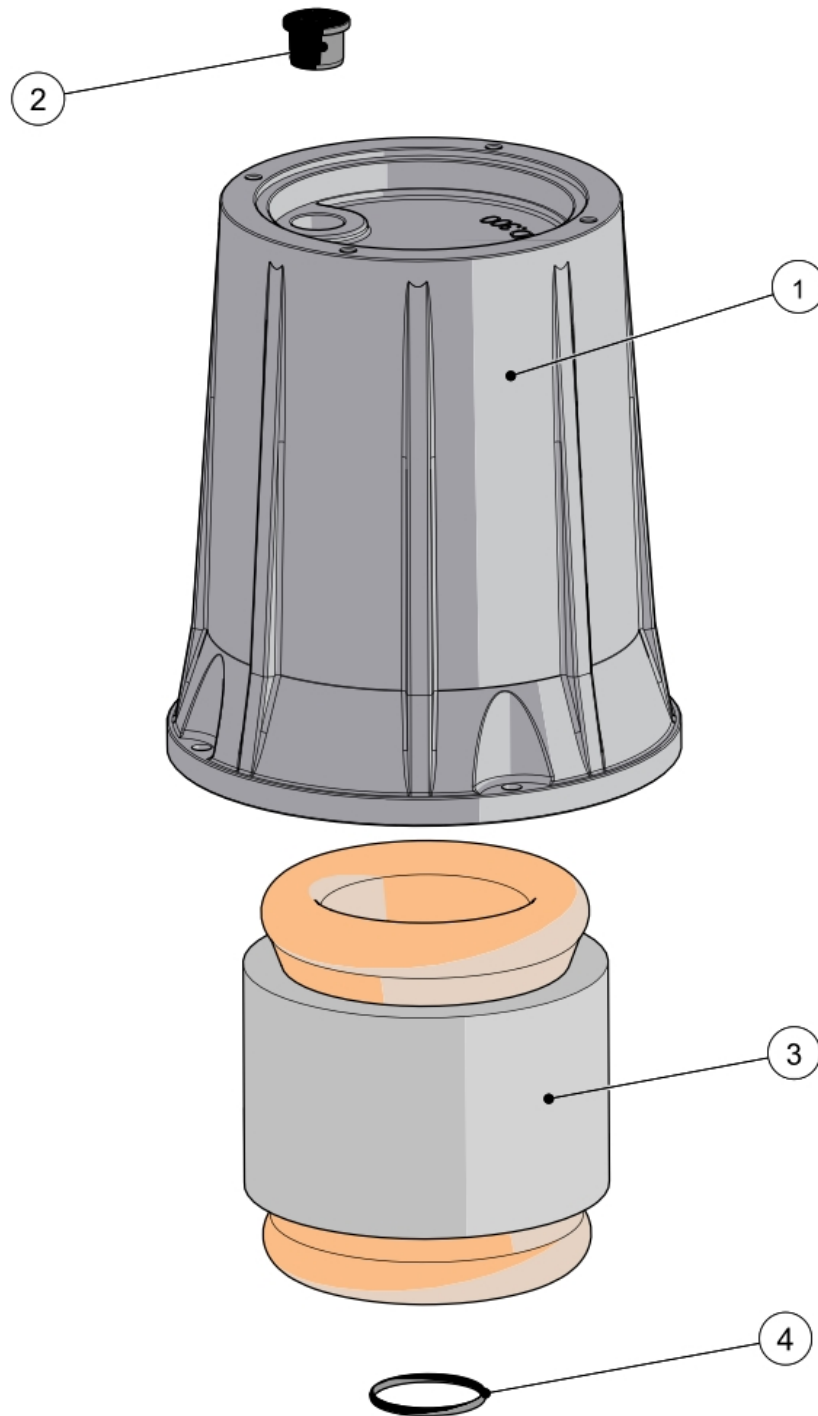


2001412

DNA 50-2/110 M/G 230V/50Hz

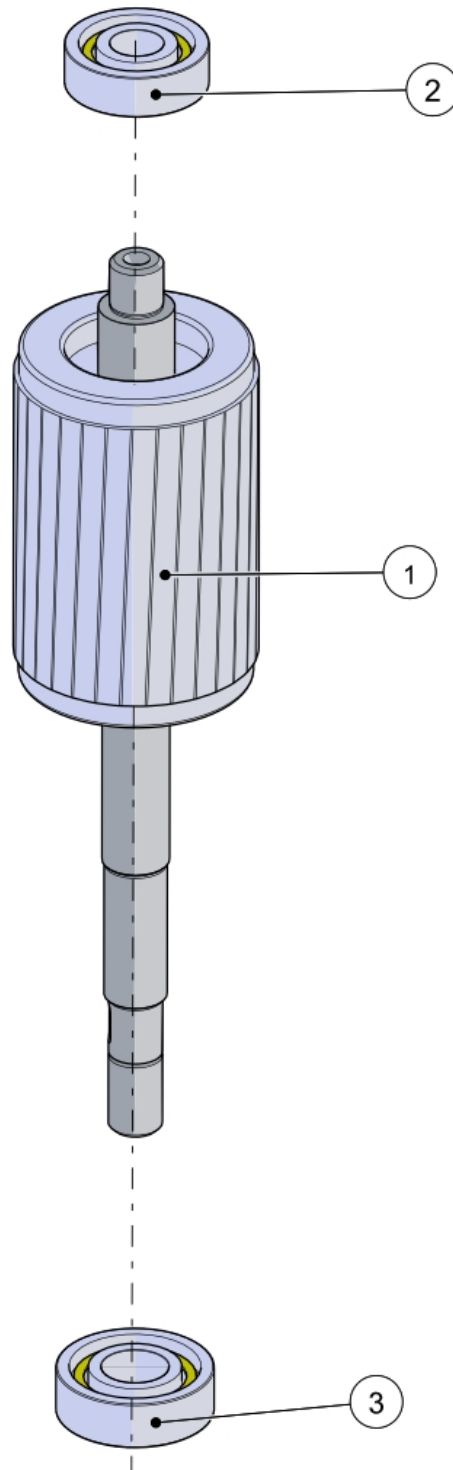
Pos	Code	Description	Pcs
01	6100305010	[+] MOTOR CASING Pack	1
02	06003120	Compensation Ring 3 waves Ø34,5	1
03	32410100	Intermediate flange cod.10010431	1
04	07210860	Oring 4487 123,42x3,53 NBR	1
05	07210540	Oring 3168 42,52x2,62 NBR	1
06	6010110010	[+] MOTOR SHAFT Pack	1
07	07506100	Mechanical seal CA/CE/SIC/SIC/ITON/316 Ø15	1
08	32200121	Intermediate disk cod.10011262/1	1
8.1	07300170	Lip Seal SC-15X28 H6 NBR	1
09	07210860	Oring 4487 123,42x3,53 NBR	1
10	31810120	Body pump Cod.1012	1
11	07007320	Screw UNI 5931 M5X50 A2	4
12	06406120	Key Shaft UNI 6604 A 4x4x10 h9 A2	1
13	43010222	Girante Vortex (Ø116) Cod.1023/A [Equilibr.]	1
14	06206120	Self locking Nut DIN 982 M10x1,25	1
15	32210140	Suction closing plate cod.1014	1
16	07007220	Screw UNI 5931 M5x16 A2	3
18	07210183	ORING 117 13,10x2,62 NBR	1
19	06700120	Oil Cap 1/4' GAS DIN 908 cod. 491	1
20	61602520NE230	[+] PUMP COVER Pack	1
21	08201120	Terminal blue cap NL 06-PB S.1,5-2,5	2
21	08201110	Terminal white cap NL 06-P S.1,5-2,5	1
23	07210740	Oring 4350 88,49x3,53 NBR	1
24	07007200	Screw UNI 5931 M5x14 A2	4
A	08700120	Stainless steel Handle cod.200	1
B	06605100	Washer Grower UNI 1751 M5 A2	2
C	07007220	Screw UNI 5931 M5x16 A2	2



6100305010

[+] MOTOR CASING Pack

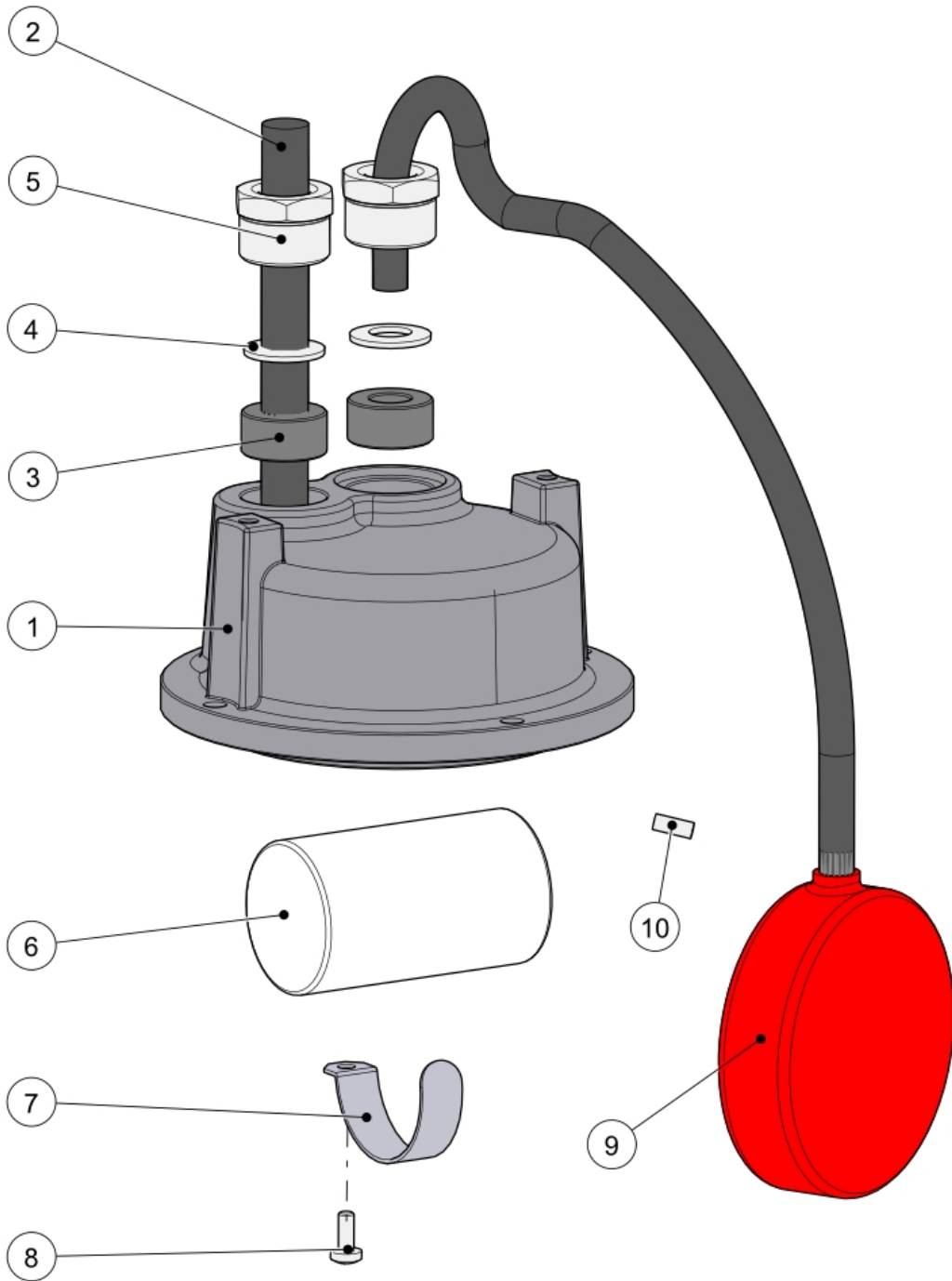
Pos	Code	Description	Pcs
01	51003050	Motor casing cod.305	1
02	07310110	Separator Cable Grommet cod.284 (3 holes)	1
03	3520160210	Stator 110x55 H85 MF.230V - 50Hz - 2 Poli	1
04	07210520	Oring 3137 34,59x2,62 NBR	1



6010110010

[+] MOTOR SHAFT Pack

Pos	Code	Description	Pcs
01	4010110010	Motor Shaft (cod.110) + Rotor (54,4x17 H85)	1
02	07706300	Bearing Code 6202-2Z	1
03	07706580	Bearing Code 6302-2Z	1



61602520NE230

[+] PUMP COVER Pack

Pos	Code	Description	Pcs
01	91602520NE	COPERCHIO MOTORE Cod. 252 [Vern.] NERO	1
02	08518210	Electric Cable Mt.10 H07RN8-F 3x1 Ø9 + Shuko Plug	1
03	07340255	GROMMET Cod.4025_Singlephase [Neoprene]	2
04	06508250	WASHER INOX Cod.2032 [AISI 304]	2
05	06405285	CABLE GLAND INOX AISI 416 M24X1 COD.4043 [r.0]	2
06	08205205	Capacitor WB40 30µF (Flex.cable)	1
07	06300160	Capacitor Clamp Stop Cod. 133	1
08	07005120	Screw UNI 7687 M4x8 A2	1
09	08250100	G05 Float-Switch 250V_0,46 MT Cable H07RN8F	1
10	08201120	Terminal blue cap NL 06-PB S.1,5-2,5	1