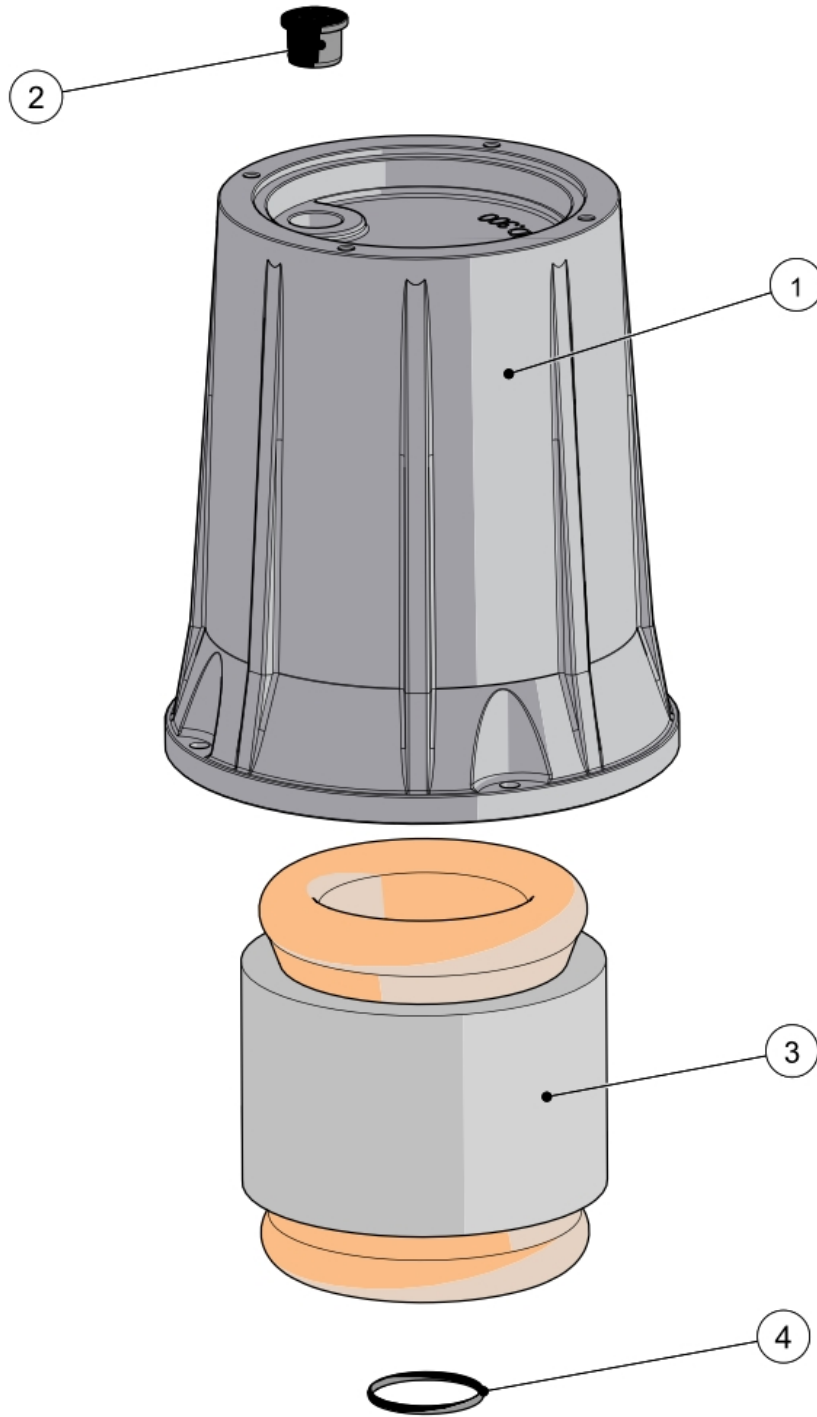


2000940

DNA 80-2/150 T/G 400V/50Hz

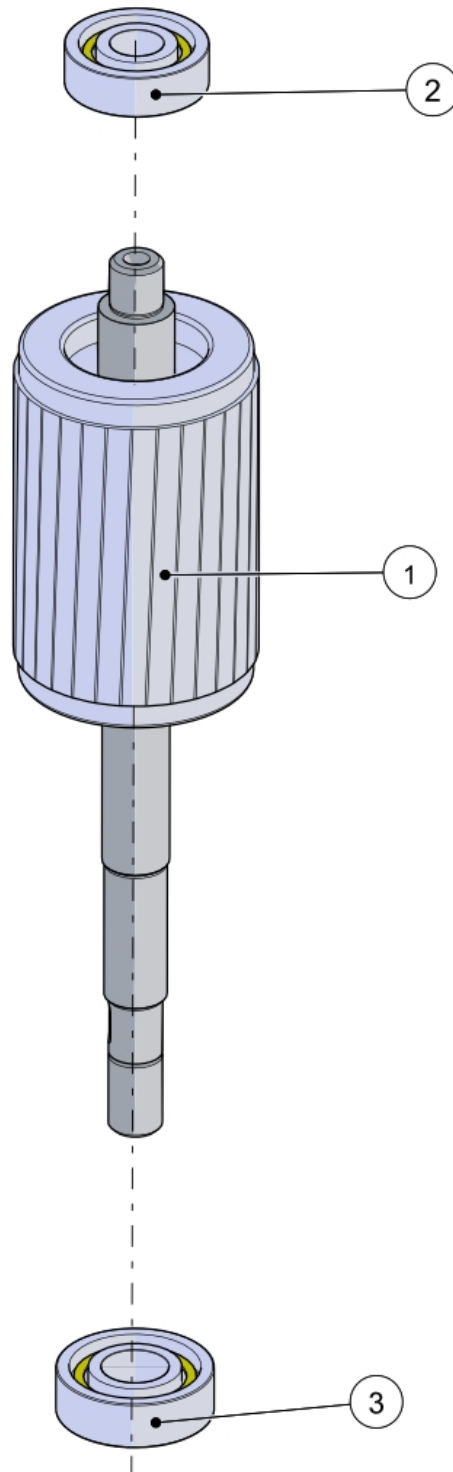
Pos	Code	Description	Pcs	Price List €
01	6100305034	[+] MOTOR CASING Pack	1	394,84
02	06003120	Compensation Ring 3 waves Ø34,5	1	3,21
03	32410100	Intermediate flange cod.10010431	1	114,40
04	07210860	Oring 4487 123,42x3,53 NBR	1	4,39
05	07210540	Oring 3168 42,52x2,62 NBR	1	2,92
06	6010110015	[+] MOTOR SHAFT Pack	1	121,52
07	07506100	Mechanical seal CA/CE/SIC/SIC/VITON/316 Ø15	1	177,10
08	32200121	Intermediate disk cod.10011262/1	1	55,23
8.1	07300170	Lip Seal SC-15X28 H6 NBR	1	5,80
09	07210860	Oring 4487 123,42x3,53 NBR	1	4,39
10	31810320	Body pump Cod.1032/A	1	575,30
11	07007320	Screw UNI 5931 M5X50 A2	4	2,20
12	06406120	Key Shaft UNI 6604 A 4x4x10 h9 A2	1	3,26
13	43010210	Vortex Impeller Cod.1021 (Ø130)	1	139,70
14	06206120	Self locking Nut DIN 982 M10x1,25	1	5,80
15	32210340	Suction closing plate cod.1034	1	113,17
16	07007220	Screw UNI 5931 M5x16 A2	3	1,45
18	07210183	ORING 117 13,10x2,62 NBR	1	2,20
19	06700120	Oil Cap 1/4' GAS DIN 908 cod. 491	1	9,48
20	61602520NE401	[+] PUMP COVER Pack	1	291,06
21	08201120	Terminal blue cap NL 06-PB S.1,5-2,5	5	1,16
21	08201110	Terminal white cap NL 06-P S.1,5-2,5	3	1,16
23	07210740	Oring 4350 88,49x3,53 NBR	1	3,68
24	07007200	Screw UNI 5931 M5x14 A2	4	2,83
A	08700120	Stainless steel Handle cod.200	1	34,45
B	06605100	Washer Grower UNI 1751 M5 A2	2	2,92
C	07007220	Screw UNI 5931 M5x16 A2	2	1,45



6100305034

[+] MOTOR CASING Pack

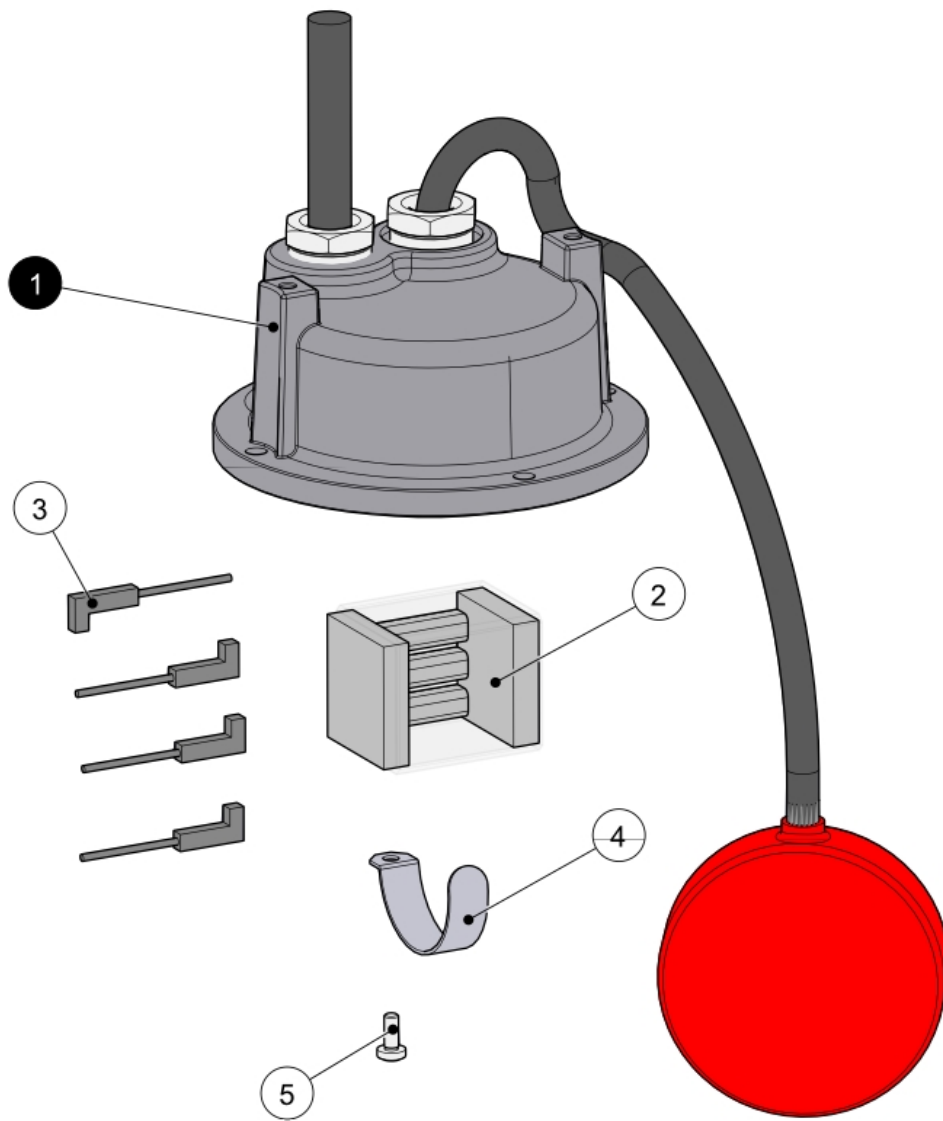
Pos	Code	Description	Pcs	Price List €
01	51003050	Motor casing cod.305	1	119,90
02	07310100	Separator Cable Grommet cod.283 (6 holes)	1	7,36
03	3520180235	Stator 110X55 H100 TF.230/400V-50Hz C.L. (Clockwise)	1	265,10
04	07210520	Oring 3137 34,59x2,62 NBR	1	2,92



6010110015

[+] MOTOR SHAFT Pack

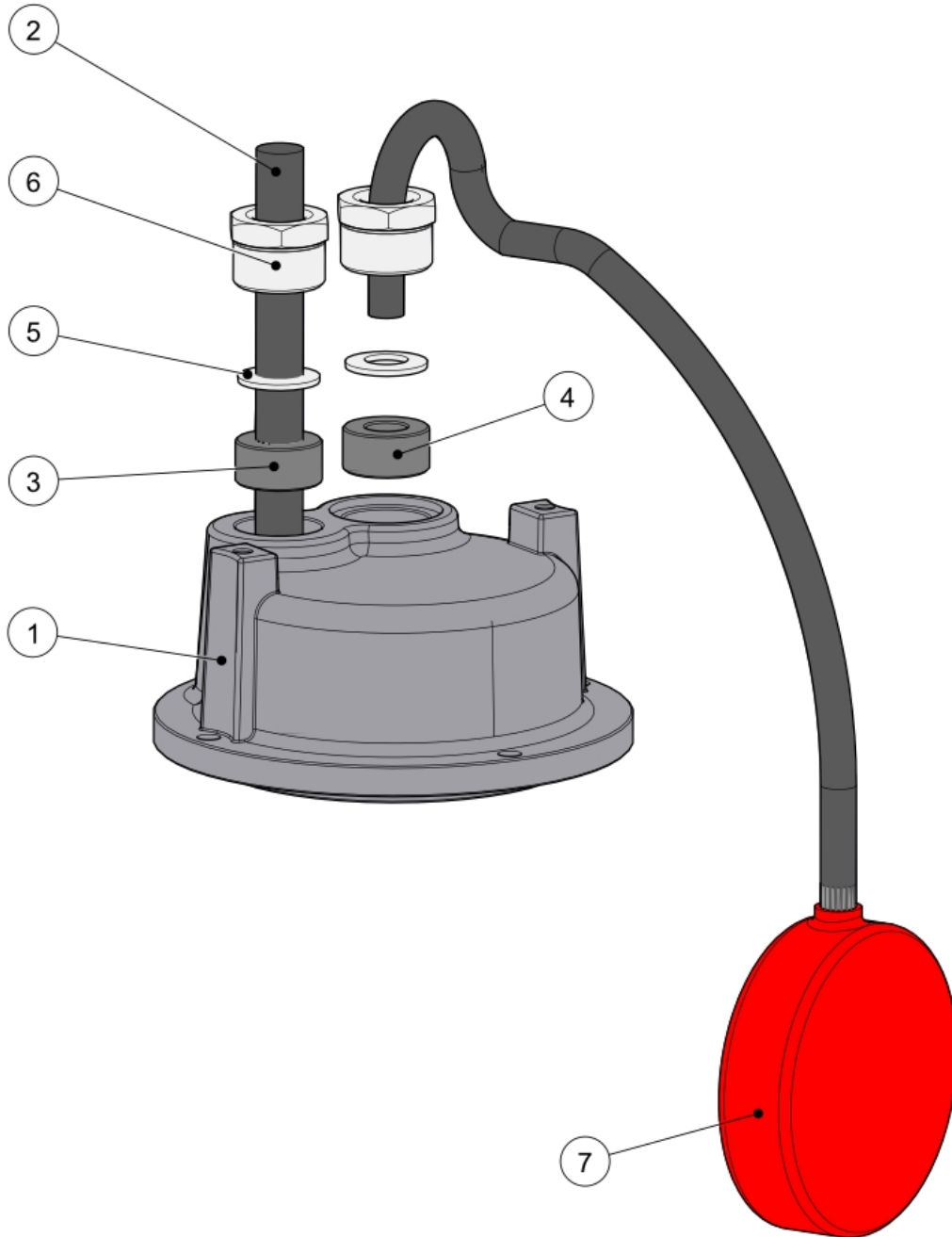
Pos	Code	Description	Pcs	Price List €
01	4010110015	Motor Shaft (cod.110) + Rotor (54,4x17 H100)	1	100,10
02	07706300	Bearing Code 6202-2Z	1	9,36
03	07706580	Bearing Code 6302-2Z	1	13,21



61602520NE401

[+] PUMP COVER Pack

Pos	Code	Description	Pcs	Price List €
01	61602520NE101	[+] PUMP COVER Pack	1	0,00
02	08216110	Power Relay 400V AC	1	86,72
03	08550100	Cable 0,50x150 white FBR6.3+CF	2	1,42
03	08550130	Cable 1x150 red FBR+CF	2	1,42
03	08550110	Cable 1x150 black FBR+CF	2	1,42
03	08550120	Cable 1x150 black FF6.3+CF	1	1,42
03	08550140	Cable 1x150 red FF+CF	1	1,42
04	06300180	Capacitor Clamp Stop Cod. 134	1	2,48
05	07005120	Screw UNI 7687 M4x8 A2	1	1,75



61602520NE101

[+] PUMP COVER Pack

Pos	Code	Description	Pcs	Price List €
01	91602520NE	COPERCHIO MOTORE Cod. 252 [Vern.] NERO	1	59,40
02	08510100	Electric Cable mt.10 H07RN8-F 4x1 Ø10	1	114,05
03	07340250	GROMMET Cod.4025_Threephase [Neoprene]	1	14,14
04	07340255	GROMMET Cod.4025_Singlephase [Neoprene]	1	14,14
05	06508250	WASHER INOX Cod.2032 [AISI 304]	2	8,49
06	06405285	CABLE GLAND INOX AISI 416 M24X1 COD.4043 [r.0]	2	29,70
07	10010465	G05 Float-Switch 400 V_0,46 MT Cable H07RN8F	1	33,00