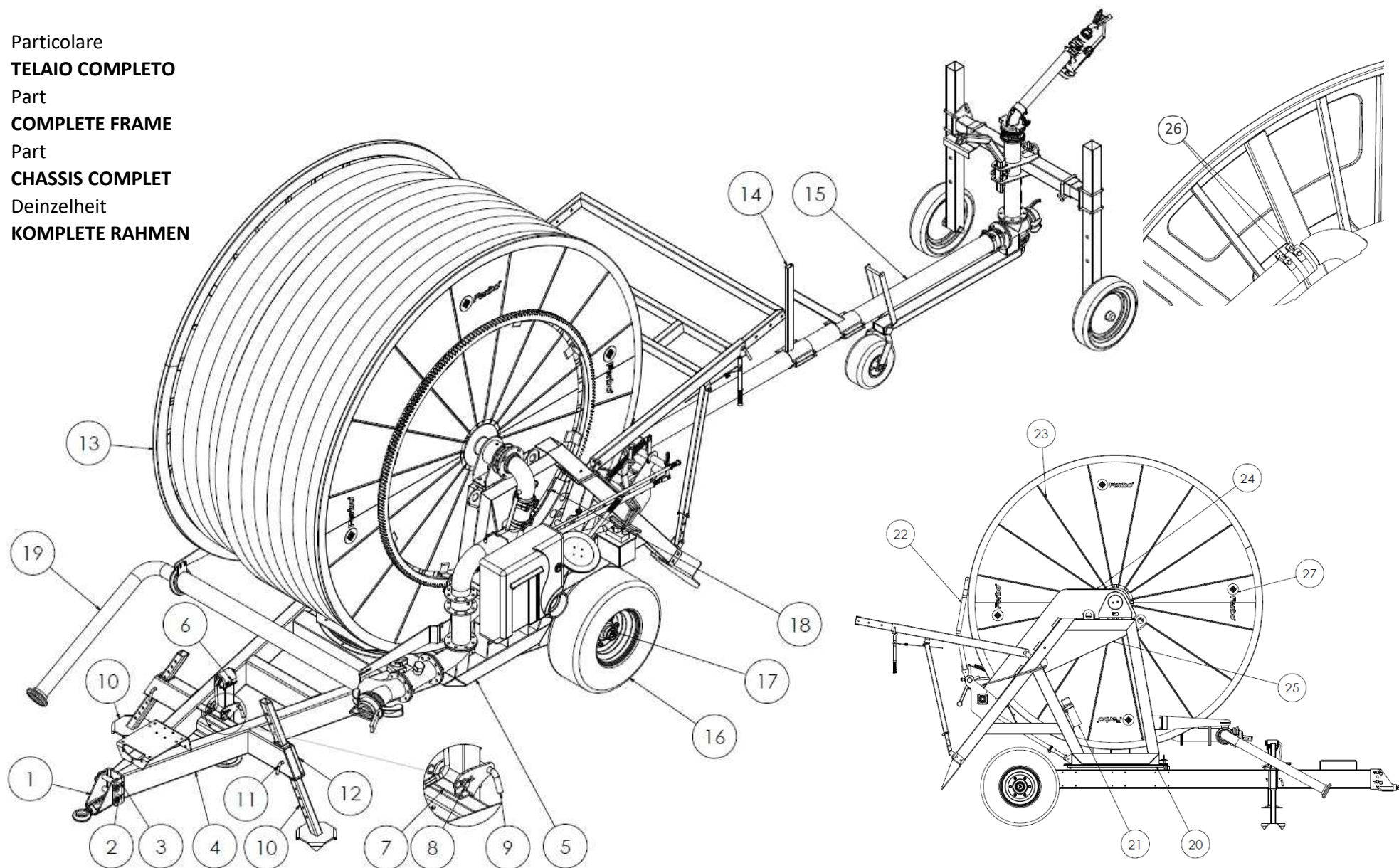


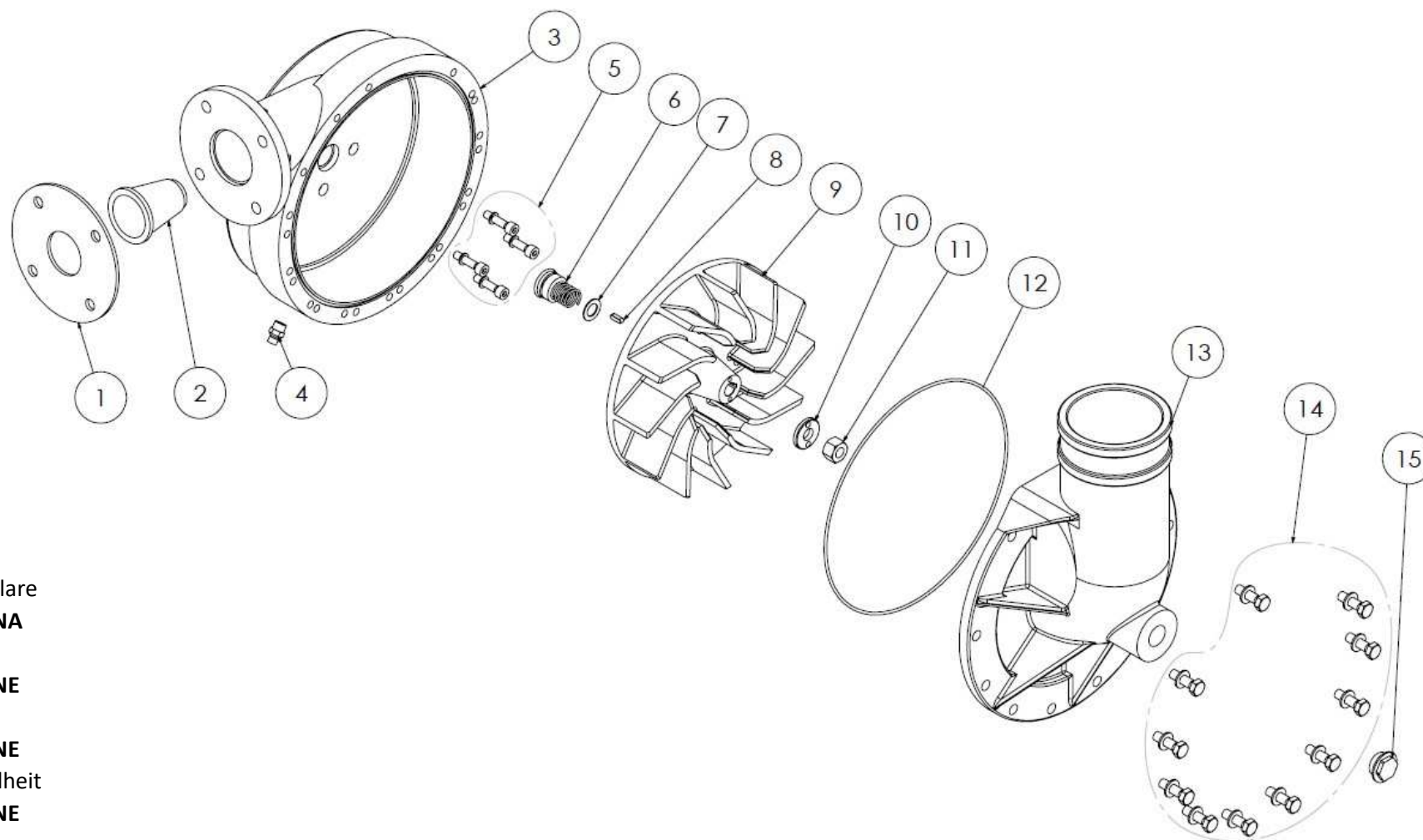
**STRUTTURA/STRUCTURE/  
STRUCTURE/STRUKTUR**

**GES**

Particolare  
**TELAIO COMPLETO**  
Part  
**COMPLETE FRAME**  
Part  
**CHASSIS COMPLET**  
Deinzelheit  
**KOMPLETE RAHMEN**



| FIG. | CODICE     | Q.TA' | DESCRIZIONE                         | DESCRIPTION                     | DESCRIPTION                              | BESCHREIBUNG                           |
|------|------------|-------|-------------------------------------|---------------------------------|--|--|
| 1    | SEL0000297 | 1     | OCCHIONE                            | TOW-EYE                         | TETE D'ATTELAGE                          | ZUGOSE                                 |
| 2    | SEL0001264 | 2     | PERNO                               | PIN                             | GOUPILLE                                 | BOLZEN                                 |
| 3    | MIN0000013 | 7     | COPPIGLIA                           | COTTER PIN                      | GOUPILLE                                 | SPLINT                                 |
| 4    | SEL0010027 | 1     | BASAMENTO INFERIORE                 | LOWER FRAME                     | CHASSIS INFERIEUR                        | UNTERRAHMEN                            |
| 5    | SEL0010026 | 1     | BASAMENTO SUPERIORE                 | UPPER FRAME                     | CHASSIS SUPERIEUR                        | OBERRAHMEN                             |
| 6    | SEL0000668 | 1     | PIEDINO ALZATIMONE                  | DRAW-BAR JACK                   | VERIN SOULEVE TIMON                      | ZUGSCHALTSTÜTZE                        |
| 7    | SEL0000666 | 1     | SUPPORTO PIEDINO ALZATIMONE         | DRAW-BAR JACK SUPPORT           | SOUTIEN VERIN SOULEVE TIMON              | ZUGSCHALTSTÜTZE UNTERSTÜTZUNG          |
| 8    | SEL0001266 | 1     | PERNO                               | PIN                             | GOUPILLE                                 | BOLZEN                                 |
| 9    | SEL0001275 | 1     | PERNO                               | PIN                             | GOUPILLE                                 | BOLZEN                                 |
| 10   | MEC0110045 | 2     | PIEDINO PER ALA                     | BOOM STAKER LEG                 | BEQUILLE POUR RAMPE ARROSAGE             | ZUGSCHAFT FÜR DUSENWAGEN               |
| 11   | SEL0001281 | 2     | PERNO                               | PIN                             | GOUPILLE                                 | BOLZEN                                 |
| 12   | MIN0000016 | 2     | COPPIGLIA                           | COTTER PIN                      | GOUPILLE                                 | SPLINT                                 |
| 13   | -          | 1     | RULLO                               | DRUM                            | BOBINE                                   | TROMMEL                                |
| 14   | SEL0110011 | 1     | STAFFA FINECORSIA (Ø110-Ø120)       | END-RUN STIRRUP (Ø110-Ø120)     | ETRIER FIN DE COURSE (Ø110-Ø120)         | ENDZUG STEIGBÜGEL (Ø110-Ø120)          |
| 14   | SEL0110010 | 1     | STAFFA FINECORSIA (Ø125-Ø140)       | END-RUN STIRRUP (Ø125-Ø140)     | ETRIER FIN DE COURSE (Ø125-Ø140)         | ENDZUG STEIGBÜGEL (Ø125-Ø140)          |
| 15   | -          | 1     | TUBO PE                             | P.E. HOSE                       | TUYAU P.E.                               | P.E. SCHLAUCH                          |
| 16   | MEC0060004 | 2     | RUOTA CON DISCO                     | WHEEL WITH RIM                  | ROUE AVEC DISQUE                         | RAD MIT SCHEIBE                        |
| 17   | MEC0060106 | 2     | SEMIASSE QUADRO ZINCATO             | SQUARE GALVANIZED AXLE          | ESSIEU CARRE GALVA                       | GALVANISIERT HALBACHSE                 |
| 18   | MEC0130163 | 1     | CARTER PER CORONE                   | CROWN PROTECTION                | PROTECTION COURONNE                      | ZAHNKRANZVERKLEIDUNG                   |
| 19   | MEC0000248 | 1     | MANICHETTA MANDATA                  | SUPPLY HOSE                     | TUYAU FLEXIBLE                           | FLEXIBLER SCHLAUCH                     |
| 20   | SEL0000600 | 1     | RALLA                               | TURNTABLE                       | TOURELLE                                 | DREHKRANZ                              |
| 21   | VAR0050023 | 1     | TUBO PORTADOCUMENTI E PORTAUTENSILI | DOCUMENTS AND ITEMS HOLDER      | TUBE POUR DOCUMENTS ET PORTE-OUTILS      | ROHR FÜR DOKUMENTE UND WERKZEUGHALTER  |
| 22   | SEL0100008 | 1     | SNODO BARRA                         | BAR JOINT                       | ARTICULATION BARRE DÉBRAYAGE             | ABSCHALTBÜGEL                          |
| 23   | SEL0060023 | -     | KIT PROTEZIONI RULLO (Ø3000)        | REEL PROTECTION KIT (Ø3000)     | KIT PROTECTION POUR ROULEAU (Ø3000)      | SCHUTZKIT FÜR ROLLE (Ø3000)            |
| 24   | MEC0130298 | 1     | PROTEZIONE CATENA SUPERIORE OR      | UPPER CHAIN PROTECTION OR       | PROTECTION CHAINE SUPERIEURE OR          | UNTERE KETTENVERKLEIDUNG OR            |
| 24   | MEC0130202 | 1     | PROTEZIONE CATENA SUPERIORE 1R      | UPPER CHAIN PROTECTION 1R       | PROTECTION CHAINE SUPERIEURE 1R          | UNTERE KETTENVERKLEIDUNG 1R            |
| 25   | MEC0130204 | 1     | PROTEZIONE CATENA INFERIORE         | LOWER CHAIN PROTECTION          | PROTECTION CHAINE INFERIEURE             | OBENE KETTENVERKLEIDUNG                |
| -    | MEC0130249 | -     | KIT PROTEZIONI CATENA               | CHAIN PROTECTION - COMPLETE KIT | PROTECTION CHAINE - KIT COMPLET          | KETTENVERKLEIDUNG - KOMPL. AUSTRÜSTUNG |
| 26   | -          | 2     | FASCETTA IN ACCIAIO INOX            | INOX CLAMPS                     | COLLIER INOX                             | INOX SCHELLE                           |
| 27   | VAR0060107 | 8     | ETICHETTA LOGO RULLO                | DRUM STICKER                    | ÉTIQUETTE LOGO À ROULEAUX                | ROLLER LOGO LABEL                      |
| -    | VAR0040133 | 1     | KIT ADESIVI MACCHINA IRRIGAZIONE    | IRRIGATION MACHINE STICKER KIT  | D'AUTOCOLLANTS POUR MACHINE D'IRRIGATION | BEWÄSSERUNGSMASCHINEN-AUFKLEBER-KIT    |



Particolare  
**TURBINA**  
Part  
**TURBINE**  
Part  
**TURBINE**  
Deinzelheit  
**TURBINE**

| FIG. | CODICE     | Q.TA' | DESCRIZIONE                     | DESCRIPTION                 | DESCRIPTION                | BESCHREIBUNG              |
|------|------------|-------|---------------------------------|-----------------------------|----------------------------|---------------------------|
| 1    | MIN0030086 | 1     | GUARNIZIONE INTERFLANGIA 4 FORI | INTERFLANGE GASKET, 4 HOLES | JOINT ENTRE-BRIDE, 4 TROUX | 4-LÖCHER DICHTUNG         |
| 2    | MEC0000210 | 1     | BOCCAGLIO                       | NOZZLE                      | BOQUILLE                   | DÜSE                      |
| 3    | MEC0030001 | 1     | CASSA TURBINA                   | TURBINE CASE                | CAISSE TURBINE             | TURBINENGEHÄUSE           |
| 4    | VLV0000082 | 1     | RACCORDO GHIOTTO                | OUTLET VALVE                | VANNE DE DÉCHARGE          | UNTERDRUCKABSCHALTVENTIL  |
| 5    | MIN0050016 | 4     | VITE+RONDELLA IN RAME           | SCREW + BRONZE WASHER       | VIS + RONDELLE EN BRONZE   | SCHRAUBE + BRONZE SCHEIBE |
| 6    | SEL0000295 | 1     | TENUTA ROTEN                    | ROTEN SEAL                  | JOINT ROTEN                | ROTEN DICHTUNG            |
| 7    | MIN0000018 | 1     | SPESSORE                        | THICKNESS                   | EPAISSEUR                  | DICKE                     |
| 8    | MEC0170068 | 1     | CHIAVETTA                       | SMALL KEY                   | PETITE CLE                 | KLEINE SCHLÜSSEL          |
| 9    | MEC0030012 | 1     | GIRANTE                         | IMPELLER                    | ROUE TOURNANTE             | LAUFRAD                   |
| 10   | MEC0000011 | 1     | DISCHETTO INOX                  | STAINLESS STEEL DISK        | DISQUE EN ACIER INOXYDABLE | EDELSTAHL-SCHEIBE         |
| 11   | MIN0000020 | 1     | DADO AUTOBLOCCANTE              | SELF-LOCKING NUT            | ECROU AUTOBLOQUANT         | SELBSTBEFESTIGUNGSM       |
| 12   | MIN0030061 | 1     | GUARNIZIONE                     | GASKET                      | JOINT                      | DICHTUNG                  |
| 13   | MEC0030006 | 1     | COPERCHIO TURBINA               | TURBINE COVER               | COUVERCLE TURBINE          | TURBINEN DECKE            |
| 14   | MIN0050015 | 11    | VITE+RONDELLA                   | SCREW + WASHER              | VIS + RONDELLE             | SCHRAUBE + SCHEIBE        |
| 15   | RAC0000037 | 1     | TAPPO IN OTTONE                 | BRASS CAP                   | CASQUETTE EN LAITON        | MESSINGKAPPE              |
| -    | MEC0030030 | -     | TURBINA COMPLETA                | COMPLETE TURBINE            | TURBINE COMPLETE           | KOMPLETTE TURBINE         |



Particolare

**PERCORSO ACQUA**

Part

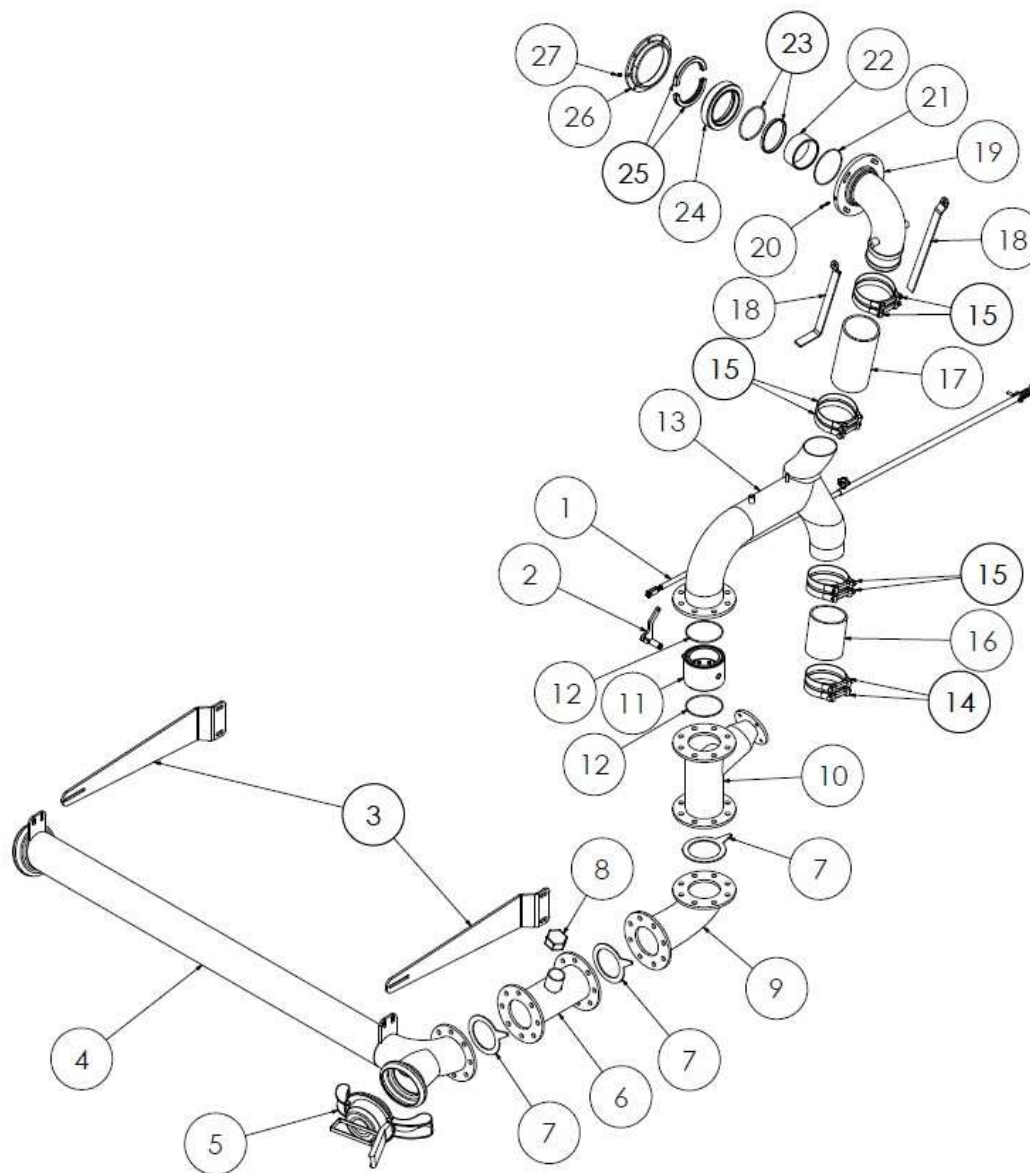
**WATER PIPEWORK**

Part

**PARCOURS DE L'EAU**

Deinzelheit

**EINLAUFVERROHRUNG**



| FIG. | CODICE     | Q.TA'   | DESCRIZIONE                  | DESCRIPTION             | DESCRIPTION                   | BESCHREIBUNG               |
|------|------------|---------|------------------------------|-------------------------|-------------------------------|----------------------------|
| 1    | SEL0140015 | 1       | LEVA REGOLATORE BY-PASS      | BY-PASS REGULATOR LEVER | LEVIER REGULATEUR BY-PASS     | BY-PASS VERSTELLBARHEBEL   |
| 2    | SEL0000642 | 1       | REGOLATORE BY-PASS           | BY-PASS REGULATOR       | REGULATEUR BY-PASS            | BY-PASS VERSTELLUNG        |
| 3    | SEL0001852 | 2       | STAFFA SOSTEGNO IMPIANTO     | SYSTEM SUPPORT BRACKET  | SUPPORT DE SUPPORT DU SYSTÈME | SYSTEMHALTERUNG            |
| 4    | SEL0150076 | 1       | TRAVERSA PERCORSO ACQUA      | PIPE WORK CROSSBAR      | TRAVERSE DU PARCOURS DE L'EAU | KREUZSTANGE VERROHRUNG     |
| 5    | RAC0080038 | 1       | TAPPO ZINCATO                | GALVANISED CAP          | BOUCHON GALVS.                | VERSCHLUSS, VERZINKT       |
| 6    | SEL0150035 | 1       | TRONCHETTO PERCORSO ACQUA    | PIPE WORK SECTION       | SECTION DU PARCOURS DE L'EAU  | VERROHRUNGSSTRECKE         |
| 7    | MIN0030004 | 3       | GUARNIZIONE                  | GASKET                  | JOINT                         | DICHTUNG                   |
| 8    | RAC0080012 | 1       | CALOTTA FEMMINA              | HEXAGONAL CAP           | HEXAGONAL BOUCHON             | SECHSECKIG KUPFER          |
| 9    | SEL0150079 | 1       | PERCORSO ACQUA SOTTO TURBINA | LOWER TURBINE PIPEWORK  | PARCOURS EAU SOUS-TURBINE     | VERROHRUNG UNTER TURBINE   |
| 10   | SEL0150078 | 1       | PERCORSO ACQUA SOTTO TURBINA | LOWER TURBINE PIPEWORK  | PARCOURS EAU SOUS-TURBINE     | VERROHRUNG UNTER TURBINE   |
| 11   | VLV0000045 | 1       | VALVOLA BY-PASS              | BY-PASS VALVE           | VANNE BY-PASS                 | BY-PASS VENTIL             |
| 12   | MIN0030104 | 2       | GUARNIZIONE OR BY-PASS       | GASKET OR BY-PASS       | JOINT OR BY-PASS              | DICHTUNG OR BY-PASS        |
| 13   | SEL0150064 | 1       | PERCORSO ACQUA SOPRA TURBINA | UPPER TURBINE PIPEWORK  | PARCOURS EAU SUR TURBINE      | VERRÖHRUNG ÜBER TURBINE    |
| 14   | MIN0010060 | 2       | FASCETTA IN ACCIAIO INOX     | INOX CLAMP              | COLLIER INOX                  | INOX SCHELLE               |
| 15   | MIN0010046 | 6       | FASCETTA IN ACCIAIO INOX     | INOX CLAMPS             | COLLIER INOX                  | INOX SCHELLE               |
| 16   | TUB0040002 | MT 0,15 | TUBO GOMMA PER MANDATA       | SUPPLY HOSE             | TUYAU SOUPLE                  | FLEXIBER SCHLAUCH          |
| 17   | TUB0040002 | MT 0,26 | TUBO GOMMA PER MANDATA       | SUPPLY HOSE             | TUYAU SOUPLE                  | FLEXIBER SCHLAUCH          |
| 18   | SEL0001846 | 2       | TIRANTE                      | TIE ROD                 | ROTULE DE DIRECTION           | ZURÜCKSTANGE               |
| 19   | SEL0000439 | 1       | CURVA DI TENUTA              | SEAL ELBOW              | JOINT A COUDE                 | DICHTUNGSSCHLEIFE          |
| 20   | MEC0000780 | 1       | INGRASSATORE                 | GREASER                 | GRAISSEUR                     | SCHMIERER                  |
| 21   | MIN0030070 | 1       | GUARNIZIONE OR               | GASKET OR               | JOINT OR                      | DICHTUNG OR                |
| 22   | SEL0000639 | 1       | BOCCOLA IN BRONZO            | BRONZE BUSH             | BAGUE EN BRONZE               | BRONZE BUCHSE              |
| 23   | MIN0030051 | 1       | GUARNIZIONE LOM+OR           | LOM+OR GASKET           | JOINT LOM+OR                  | LOM+OR DICHTUNG            |
| 24   | SEL0000440 | 1       | SUPPORTO TENUTA              | SEAL SUPPORT            | SUPPORT JOINT                 | DICHTUNGSHALTERUNG         |
| 25   | SEL0000122 | 1       | ANELLO BLOCCAGGIO            | RING TO FIX SHAFT       | ANNEAU SERRE-ARBRE            | RING MIT KLEMME FUER WELLE |
| 26   | SEL0000438 | 1       | ANELLO CENTRAGGIO            | CENTERING RING 8 HOLES  | ANNEAU CENTRAGE 8 TROUS       | ZENTRIERRING 8-LOCHE       |
| 27   | MEC0000778 | 1       | INGRASSATORE                 | GREASER                 | GRAISSEUR                     | SCHMIERER                  |

Particolare

**ACCOPIAMENTO RIDUTTORE – CORONA DENTATA**

Part

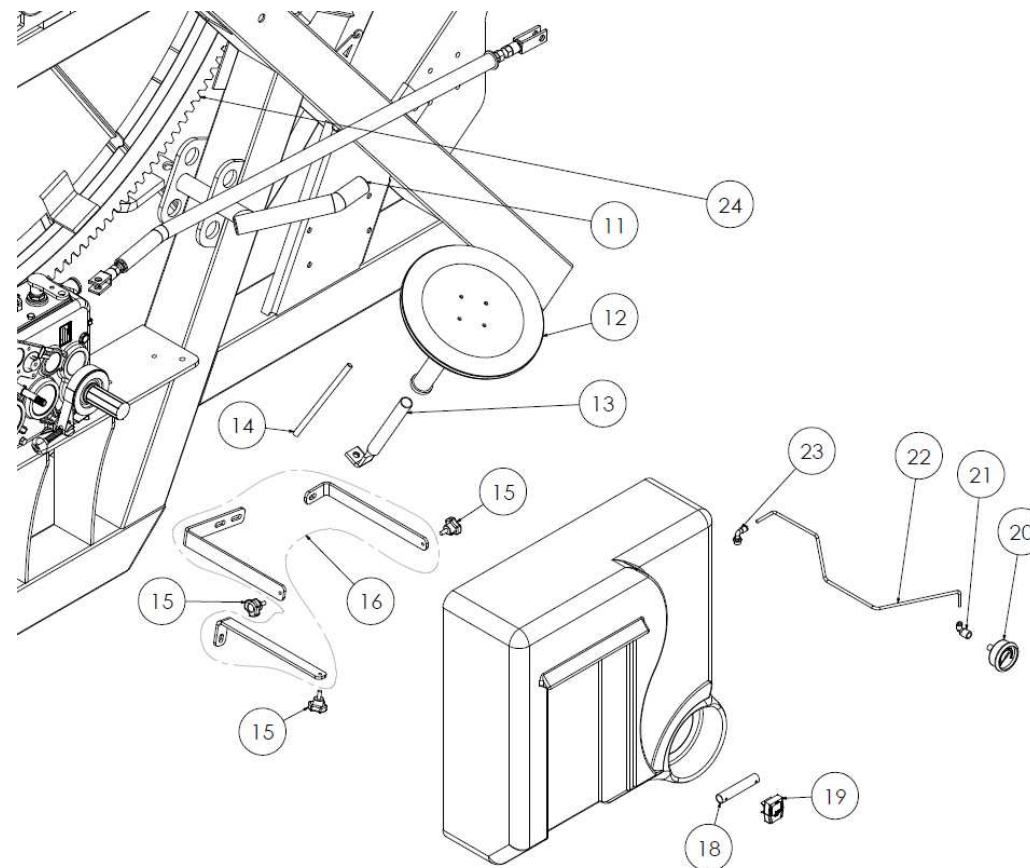
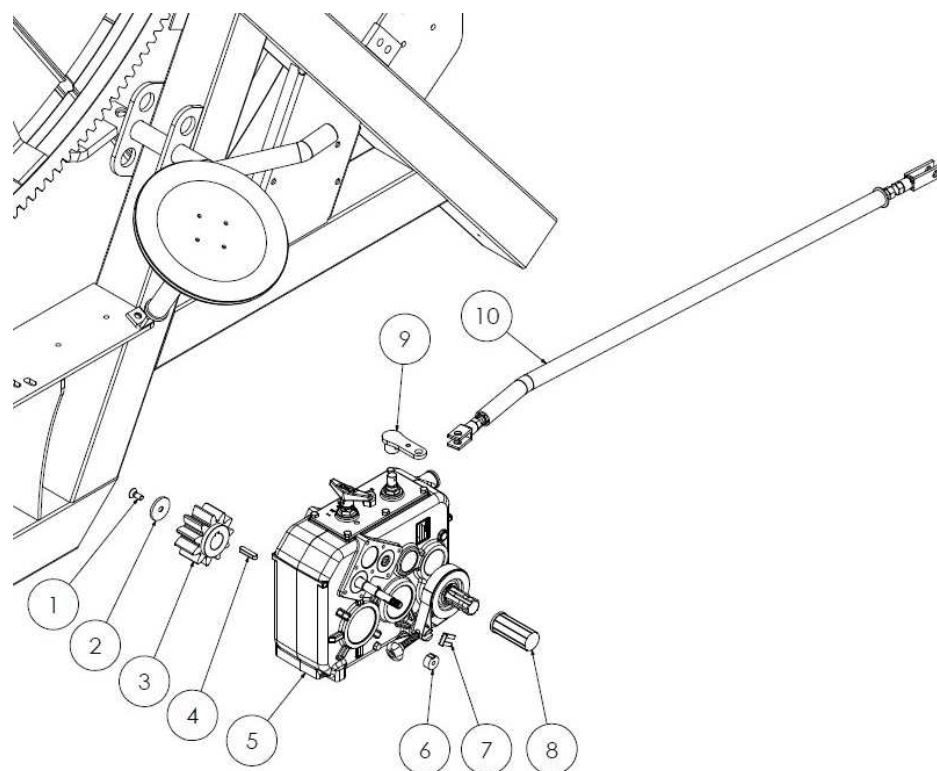
**GEARBOX – TOOTHED CROWN ASSEMBLY**

Part

**GROUP REDUCTEUR - COURONNE**

Deinzelheit

**GETRIEBE-KEILRIEMENSCH. – ZAHNKRANZ AGGREGAT**





| FIG. | CODICE     | Q.TA' | DESCRIZIONE                            | DESCRIPTION                                  | DESCRIPTION                                | BESCHREIBUNG                             |
|------|------------|-------|--|--|--|--|
| 1    | MEC0001289 | 1     | VITE                                   | LIVES  | DES VIES                                   | LEBEN                                    |
| 2    | MEC0001291 | 1     | RONDELLA                               | WASHER                                       | MACHINE À LAVER                            | UNTERLEGSCHLEIBE                         |
| 3    | MEC0080016 | 1     | PIGNONE PER CORONE                     | CROWN PINION                                 | PIGNON COURONNE                            | ANTRIEBZAHNRAD                           |
| 4    | MEC0150155 | 1     | CHIAVETTA                              | SMALL KEY                                    | PETITE CLE                                 | KLEINE SCHLÜSSEL                         |
| 5    | MEC0020009 | 1     | RIDUTTORE COMER                        | COMER GEARBOX                                | REDUCTEUR COMER                            | COMER GETRIEBE                           |
| 6    | MEC0000012 | 1     | MAGNETE CON BLOCCO IN PVC              | MAGNET + PVC LOCK                            | MAGNET AVEC BLOC PVC                       | MAGNET MIT PVC VERRIEGELUNG              |
| 7    | SEL0001219 | 1     | SUPPORTO SENSORE CONTAMETRI            | SUPPORT FOR DIGITAL METER SENSOR             | SUPPORT POUR CAPTEUR COMPTEUR              | HALTERUNG FÜR METERZÄHLER                |
| 8    | MEC0000157 | 1     | CAPPUCCIO PRESA DI FORZA               | PTO CAP                                      | CAPUCHON PRISE DE FORSE                    | HAUBE                                    |
| 9    | SEL0000303 | 1     | SUPPORTO DISINNESTO RIDUTTORE          | REDUCER RELEASE SUPPORT                      | SOUTIEN AU DÉBUT DE RÉDUCTEUR              | REDUZIERER-FREIGABE-UNTERSTÜTZUNG        |
| 10   | SEL0140002 | 1     | LEVA DISINNESTO RIDUTTORE              | GEARBOX RELEASE BAR                          | BARRE DEBRAYAGE REDUCTEUR                  | GETRIEBE-ABSCHALTKLEMMVOR                |
| 11   | SEL0000233 | 1     | CRICCHETTO                             | JACK   | CRIC                                       | SPERRKLINKE                              |
| 12   | MEC0000673 | 1     | VOLANTINO CON DISCO IN ABS 1"-3/8      | ABS HANDWHEEL 1" - 3/8                       | VOLANT + DISQUE ABS 1" - 3/8               | HANDRAD MIT ABS SCHEIBE 1" - 3/8         |
| 13   | SEL0001223 | 1     | SUPPORTO PORTA VOLANTINO               | HANDWHEEL HOLDER SUPPORT                     | SUPPORT DE SUPPORT DE VOLANT               | HANDRADHALTER UNTERSTÜTZUNG              |
| 14   | SEL0001224 | 1     | SUPPORTO ASTA POM PA MANUALE-VOLANTINO | SUPPORT FOR MANUAL PUMP LEVER AND HAND WHEEL | SUPPORT LEV RIER POM PE MANUELLE ET VOLANT | HALTERUNG FÜR HANDPUMPE STANGE + HANDRAD |
| 15   | MEC0000121 | 3     | POMELLO                                | HAN GRIP                                     | BOUTON                                     | KNOPF                                    |
| 16   | MEC0130286 | 1     | KIT STAFFE CARTER ABS TURBINA          | ABS TURBINE CRANKCASE BRACKET KIT            | T DE SUPPORT CARTER MOTEUR TURBINE AB      | ABS TURBINENKURBELGEHÄUSE-HALTERUNG      |
| 17   | MEC0130018 | 1     | CARTER ABS TURBINA                     | CARTER ABS TURBINE                           | CARTER ABS TURBINE                         | CARTER ABS TURBINE                       |
| 18   | SEL0001222 | 1     | SUPPORTO PER CONTAMETRI                | DIGITAL METR COUNTER SUPPORT                 | SUPPORT POUR COMPTE-METRES                 | HALTERUNG FÜR METERZÄHLER SENSOR         |
| 19   | MEC0000114 | 1     | CONTAMETRI DIGITALE                    | DIGITAL METER COUNTER                        | COMPTE-METRES DIGITAL                      | DIGITAL METERZÄHLER                      |
| 20   | MEC0000109 | 1     | MANOMETRO ALLA GLICERINA               | MANOMETER                                    | MANOMETRE                                  | MANOMETER                                |
| 21   | MEC0000136 | 1     | RACCORDO A "L" F                       | "L" FITTING F                                | RACCORD "L" F                              | "L" FITTING F.                           |
| 22   | MEC0000747 | 1/0,5 | TUBO RILSAN                            | RILSAN TUBE                                  | TUBE RILSAN                                | RILSAN TUBE                              |
| 23   | RAC0000025 | 1     | RACCORDO A "L" M                       | "L" FITTING M                                | RACCORD "L" M                              | "L" FITTING M.                           |
| 24   | MEC0070003 | -     | CORONA DENTATA                         | TOOTHED CROWN                                | COURONNE                                   | ZAHNKRANZ                                |
| -    | MEC0000526 | -     | TURBORIDUTTORE                         | GEARBOX+TURBINE                              | REDUCTEUR + TURBINE                        | GETRIEBE + TURBINE                       |

Particolare

**ANCORAGGIO E SOLLEVAMENTO CARRELLO**

Part

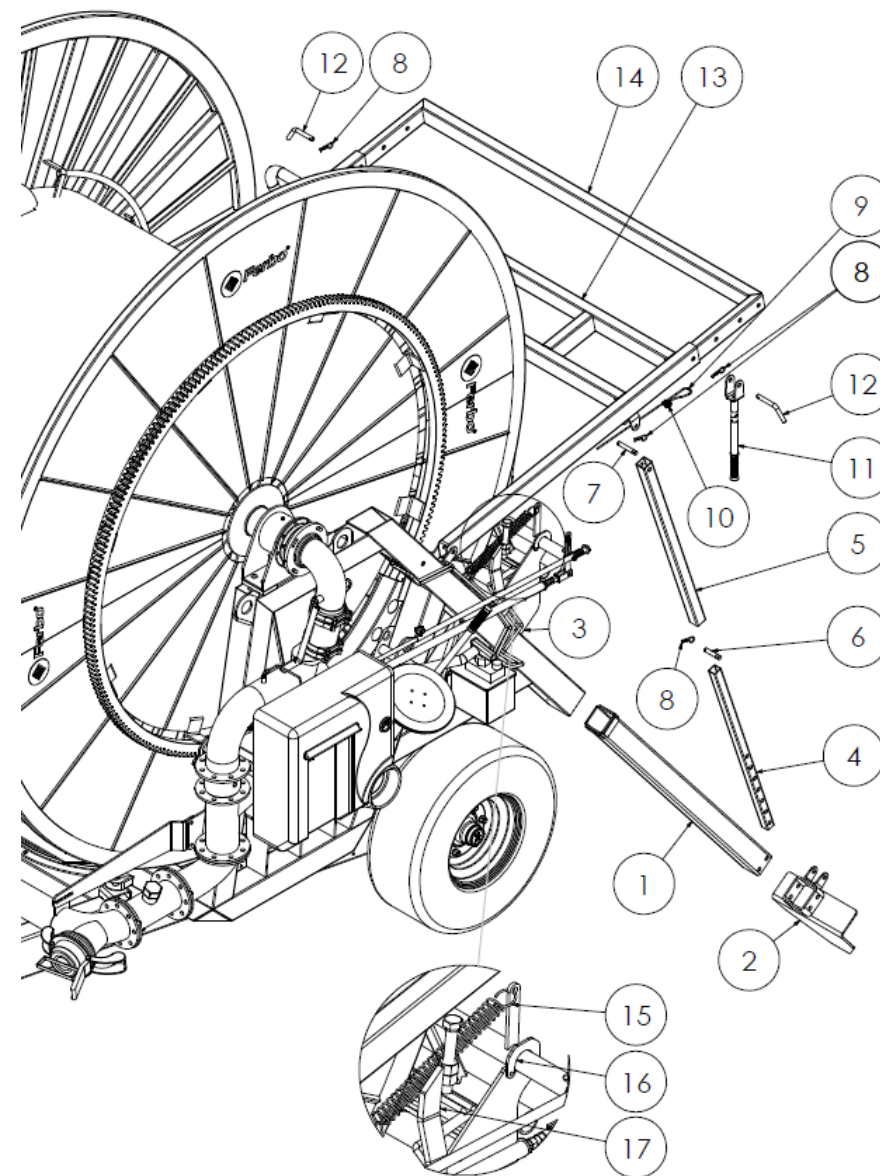
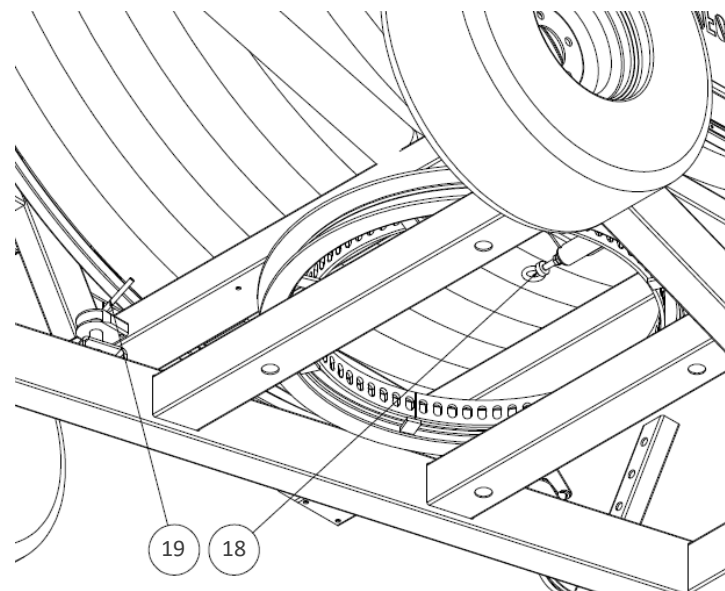
**TROLLEY FIXING AND LIFTING**

Part

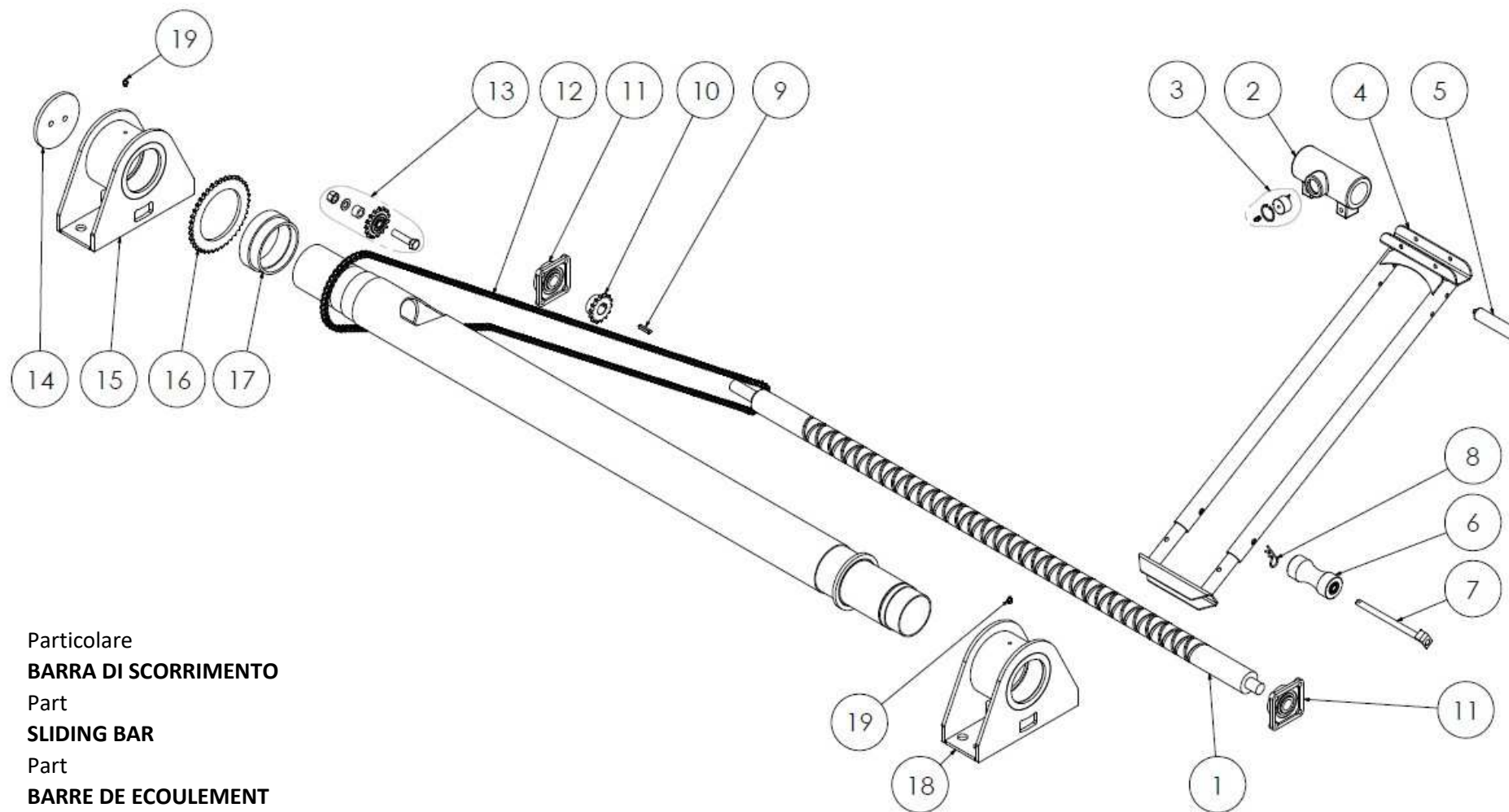
**MOUILLAGE ET CHARGEMENT CHARIOT**

Deinzelheit

**STATIVVERANKERUNG UND HEBEN**



| FIG. | CODICE     | Q.TA'  | DESCRIZIONE                        | DESCRIPTION             | DESCRIPTION                           | BESCHREIBUNG              |
|------|------------|--------|------------------------------------|-------------------------|---------------------------------------|---------------------------|
| 1    | SEL0000531 | 2      | SFILABILE INTERNO DI STAZIONAMENTO | INTERNAL STAKER LEG     | BEQUILLE INTERIEURE                   | ZUGSHAFTINNENSEITE        |
| 2    | SEL0090020 | 1      | VANGHETTA LATO TURBINA             | TURBINE SIDE SPADE      | BÊCHE CTÉ TURBINE                     | TURBINENSEISPATEN         |
| 3    | SEL0090072 | 1      | VANGHETTA LATO CATENA              | CHAIN SIDE SPADE        | BÊCHE CTÉ CHAÎNE                      | KETTENSEISPATEN           |
| 4    | SEL0090019 | 2      | SFILABILE VERTICALE INTERNO        | VERTICAL INTERNAL LEG   | BEQUILLE INTERIEURE VERTICALE         | UGSHAFTINNENSEITE VERTIKA |
| 5    | SEL0090018 | 2      | SFILABILE VERTICALE ESTERNO        | VERTICAL EXTERNAL LEG   | BEQUILLE EXTERIEURE VERTICALE         | UGSHAFTAUSSENSEITE VERTIK |
| 6    | SEL0001280 | 2      | PERNO                              | PIN                     | GOUPILLE                              | BOLZEN                    |
| 7    | SEL0001279 | 2      | PERNO                              | PIN                     | GOUPILLE                              | BOLZEN                    |
| 8    | MIN0000016 | 6      | COPPIGLIA                          | COTTER PIN              | GOUPILLE                              | SPLINT                    |
| 9    | MEC0000380 | MT 5,5 | FUNE ZINCATA                       | GALVANIZED ROPE         | CORDE GALVANISÉE                      | VERZINKTES SEIL           |
| 10   | MEC0000344 | 4      | MORSETTO                           | CLAMP                   | BORNE                                 | KLEMME                    |
| 11   | SEL0000307 | 1      | LEVA ROTAZIONE                     | ROTATION LEVER          | LEVIER ROTATION                       | UMLAUFHEBEL               |
| 12   | SEL0001278 | 2      | PERNO                              | PIN                     | GOUPILLE                              | BOLZEN                    |
| 13   | SEL0090056 | 1      | CARICA CARRELLO ESTERNO            | EXTERNAL TROLLEY LIFTER | CHARGE-CHARIOT EXTERIEU               | AUßENHEBEVORRICHTUNG      |
| 14   | SEL0090057 | 1      | CARICA CARRELLO INTERNO            | INTERNAL TROLLEY LIFTER | CHARGE-CHARIOT INTERIEUR              | INNENHEBEVORRICHTUNG      |
| 15   | MEC0000345 | 1      | MOLLA                              | SPRING                  | RESSORT                               | FEDER                     |
| 16   | SEL0100015 | 1      | FERMO SNODO BARRA                  | BAR JOINT STOP          | ARRETER ARTICULATION BARRE DÉBRAYAGE  | STANGENANSCHLAG           |
| 17   | SEL0090064 | 1      | BATTUTA CARICA CARRELLO            | LIFTER STOP             | POINT POINT D'ARRÊT DU CHARGE-CHARIOT | ANSCHLAG HEBEVORRICHTUNG  |
| 18   | SEL0000667 | 1      | BLOCCAGGIO ROTAZIONE               | ROTATION LOCK           | VERROUILLAGE DE ROTATION              | DREHSPERRE                |
| 19   | MEC0001326 | 1      | PERNO SICUREZZA                    | SAFETY PIN              | GOUPILLE DE SÛRETÉ                    | SICHERHEITSNADEL          |

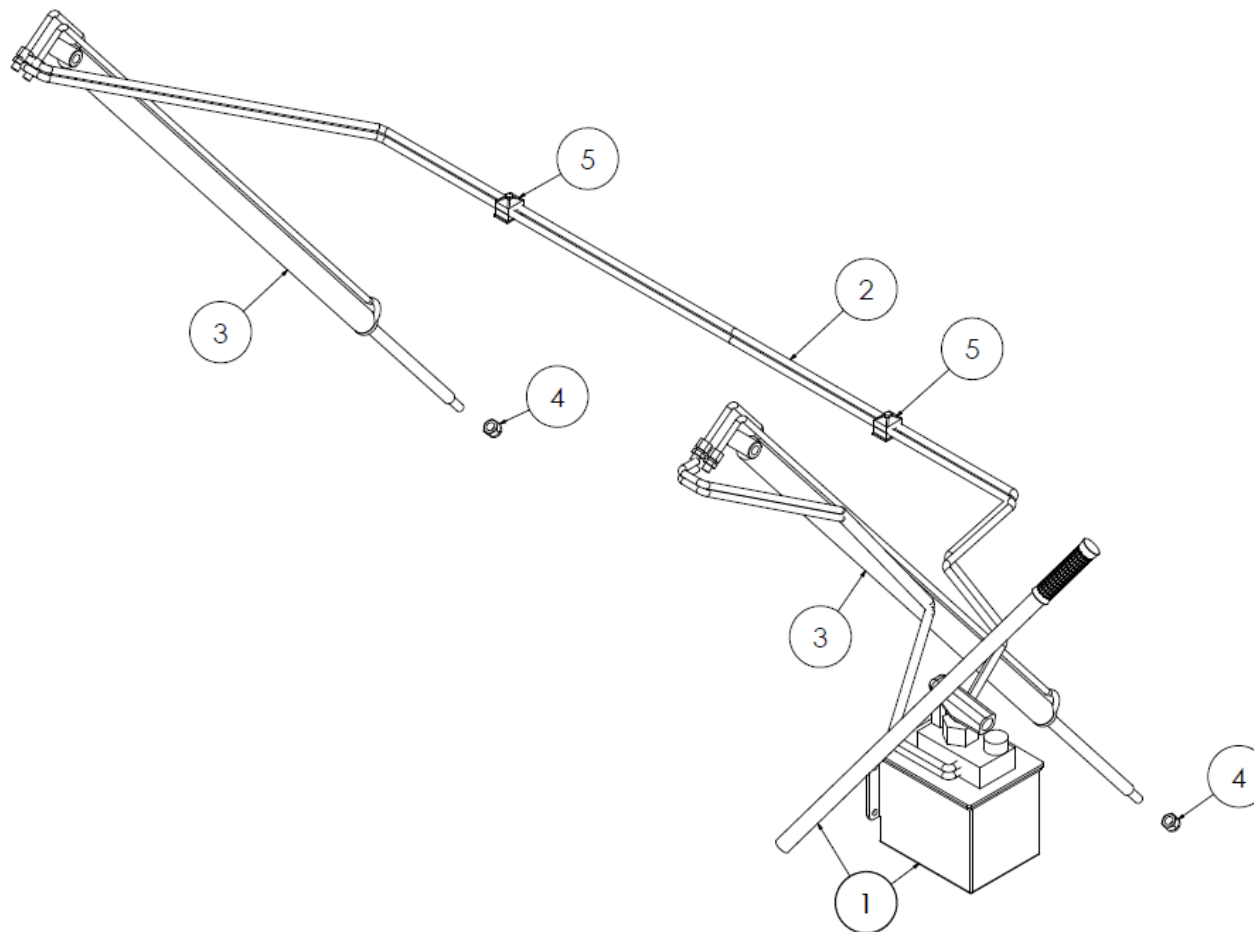


Particolare  
**BARRA DI SCORRIMENTO**  
 Part  
**SLIDING BAR**  
 Part  
**BARRE DE ECOULEMENT**  
 Deinzelnheit  
**GLEITUNGSTANGE**

| FIG. | CODICE     | Q.TA'   | DESCRIZIONE                       | DESCRIPTION                       | DESCRIPTION                     | BESCHREIBUNG                         |
|------|------------|---------|-----------------------------------|-----------------------------------|---------------------------------|--------------------------------------|
| 1    | MEC0000804 | 1       | BARRA DI SCORRIMENTO              | SLIDING BAR                       | BARRE D'ECOULEMENT              | GLEITUNGSSTANGE                      |
| 2    | MEC0000811 | 1       | BLOCCO DI SCORRIMENTO             | SLIDING BLOC                      | BLOC D'ECOULEMENT               | GLEITUNGSBLOCK                       |
| 3    | MEC0000147 | 1       | NOTTOLINO + SEEGER + INGRASSATORE | PAWL                              | CLIQUET                         | KLINKE                               |
| 4    | SELO000586 | 1       | SUPPORTO GUIDATUBO (Ø90-Ø110)     | PE HOSE-INLET SUPPORT (Ø90-Ø110)  | SUPPORT GUIDE-TUYAU (Ø90-Ø110)  | PE-SCHLAUCH-EINLASSTÜTZE (Ø90-Ø110)  |
| 4    | SELO001008 | 1       | SUPPORTO GUIDATUBO (Ø120-Ø125)    | PE HOSE-INLET SUPPORT (Ø120-Ø125) | SUPPORT GUIDE-TUYAU (Ø120-Ø125) | PE-SCHLAUCH-EINLASSTÜTZE (Ø120-Ø125) |
| 4    | SELO001010 | 1       | SUPPORTO GUIDATUBO (Ø135-Ø150)    | PE HOSE-INLET SUPPORT (Ø135-Ø150) | SUPPORT GUIDE-TUYAU (Ø135-Ø150) | PE-SCHLAUCH-EINLASSTÜTZE (Ø135-Ø150) |
| 5    | MEC0000203 | 1       | ROCCHETTO IN FERRO                | IRON REEL                         | BOBINE EN FER                   | EISENSPULE                           |
| 5    | MEC0000202 | 1       | ROCCHETTO IN FERRO                | IRON REEL                         | BOBINE EN FER                   | EISENSPULE                           |
| 5    | MEC0000201 | 1       | ROCCHETTO IN FERRO                | IRON REEL                         | BOBINE EN FER                   | EISENSPULE                           |
| 6    | MEC0000196 | 1       | ROCCHETTO IN NYLON PER GUIDATUBO  | NYLON REEL                        | ROULEAU TEFLON                  | NYLON SPÜLE                          |
| 6    | MEC0000195 | 1       | ROCCHETTO IN NYLON PER GUIDATUBO  | NYLON REEL                        | ROULEAU TEFLON                  | NYLON SPÜLE                          |
| 6    | MEC0000194 | 1       | ROCCHETTO IN NYLON PER GUIDATUBO  | NYLON REEL                        | ROULEAU TEFLON                  | NYLON SPÜLE                          |
| 7    | SELO001295 | 1       | PERNO PER ROCCHETTO IN NYLON      | PIN FOR NYLON REEL                | GOUPILLE POUR ROULEAU TEFLON    | BOLZEN FÜR NYLON SPÜLE               |
| 7    | SELO001293 | 1       | PERNO PER ROCCHETTO IN NYLON      | PIN FOR NYLON REEL                | GOUPILLE POUR ROULEAU TEFLON    | BOLZEN FÜR NYLON SPÜLE               |
| 7    | SELO001291 | 1       | PERNO PER ROCCHETTO IN NYLON      | PIN FOR NYLON REEL                | GOUPILLE POUR ROULEAU TEFLON    | BOLZEN FÜR NYLON SPÜLE               |
| 8    | MIN0000016 | 1       | COPPIGLIA                         | COTTER PIN                        | GOUPILLE                        | SPLINT                               |
| 9    | MEC0170085 | 1       | CHIAVETTA                         | SMALL KEY                         | PETITE CLE                      | KLEINE SCHLÜSSEL                     |
| 10   | SELO000253 | 1       | PIGNONE LAVORATO 5/8" (Ø110-Ø125) | PINION 5/8" (Ø110-Ø125)           | PIGNON 5/8" (Ø110-Ø125)         | KETTENRAD 5/8" (Ø110-Ø125)           |
| 10   | SELO000256 | 1       | PIGNONE LAVORATO 5/8" (Ø120)      | PINION 5/8" (Ø120)                | PIGNON 5/8" (Ø120)              | KETTENRAD 5/8" (Ø120)                |
| 10   | SELO000596 | 1       | PIGNONE LAVORATO 5/8" (Ø135)      | PINION 5/8" (Ø140)                | PIGNON 5/8" (Ø140)              | KETTENRAD 5/8" (Ø140)                |
| 10   | SELO000258 | 1       | PIGNONE LAVORATO 5/8" (Ø140)      | PINION 5/8" (Ø140)                | PIGNON 5/8" (Ø140)              | KETTENRAD 5/8" (Ø140)                |
| 11   | MEC0000781 | 2       | SUPPORTO UCF                      | UCF SUPPORT                       | SUPPORT UCF                     | UCF HALTERUNG                        |
| 12   | MEC0000105 | MT 3,50 | CATENA 5/8"                       | CHAIN 5/8"                        | CHAINE 5/8"                     | KETTE 5/8"                           |
| 13   | MEC0001130 | 1       | KIT TENDICATENA 5/8"              | CHAIN ADJUSTER 5/8"               | TENDEUR CHAINE 5/8"             | KETTENSPELLER 5/8"                   |
| 14   | SELO001847 | 1       | TAPPO ALBERO RULLO                | CAP FOR DRUM SHAFT                | BOUCHON POUR ARBRE BOBINE       | VERSCHLUSS FÜR TROMMELSCHAFT         |
| 15   | SELO001059 | 1       | SUPPORTO RULLO                    | DRUM SUPPORT                      | PALIER BOBINE                   | TROMMELSTEHLAGER                     |
| 15   | SELO001058 | 1       | SUPPORTO RULLO                    | DRUM SUPPORT                      | PALIER BOBINE                   | TROMMELSTEHLAGER                     |
| 16   | SELO000023 | 1       | CORONA LAVORATA 5/8" (Ø110-140)   | CROWN 5/8" (Ø110-Ø140)            | COURONNE 5/8" (Ø110-Ø140)       | ZAHNKRANZ 5/8" (Ø110-Ø140)           |
| 16   | SELO000672 | 1       | CORONA LAVORATA 5/8" (Ø120)       | CROWN 5/8" (Ø120)                 | COURONNE 5/8" (Ø120)            | ZAHNKRANZ 5/8" (Ø120)                |
| 16   | SELO000032 | 1       | CORONA LAVORATA 5/8" (Ø125-Ø135)  | CROWN 5/8" (Ø125-Ø135)            | COURONNE 5/8" (Ø125-Ø135)       | ZAHNKRANZ 5/8" (Ø125-Ø135)           |
| 17   | SELO000769 | 1       | SUPPORTO CORONA                   | CROWN SUPPORT                     | SUPPORT COURONNE                | KRONE UNTERSTÜTZUNG                  |
| 18   | MEC0000078 | 1       | SUPPORTO RULLO                    | DRUM SUPPORT                      | PALIER BOBINE                   | TROMMELSTEHLAGER                     |
| 18   | MEC0000008 | 1       | SUPPORTO RULLO                    | DRUM SUPPORT                      | PALIER BOBINE                   | TROMMELSTEHLAGER                     |
| 19   | MEC0000779 | 2       | INGRASSATORE                      | GREASER                           | GRAISSEUR                       | SCHMIERER                            |

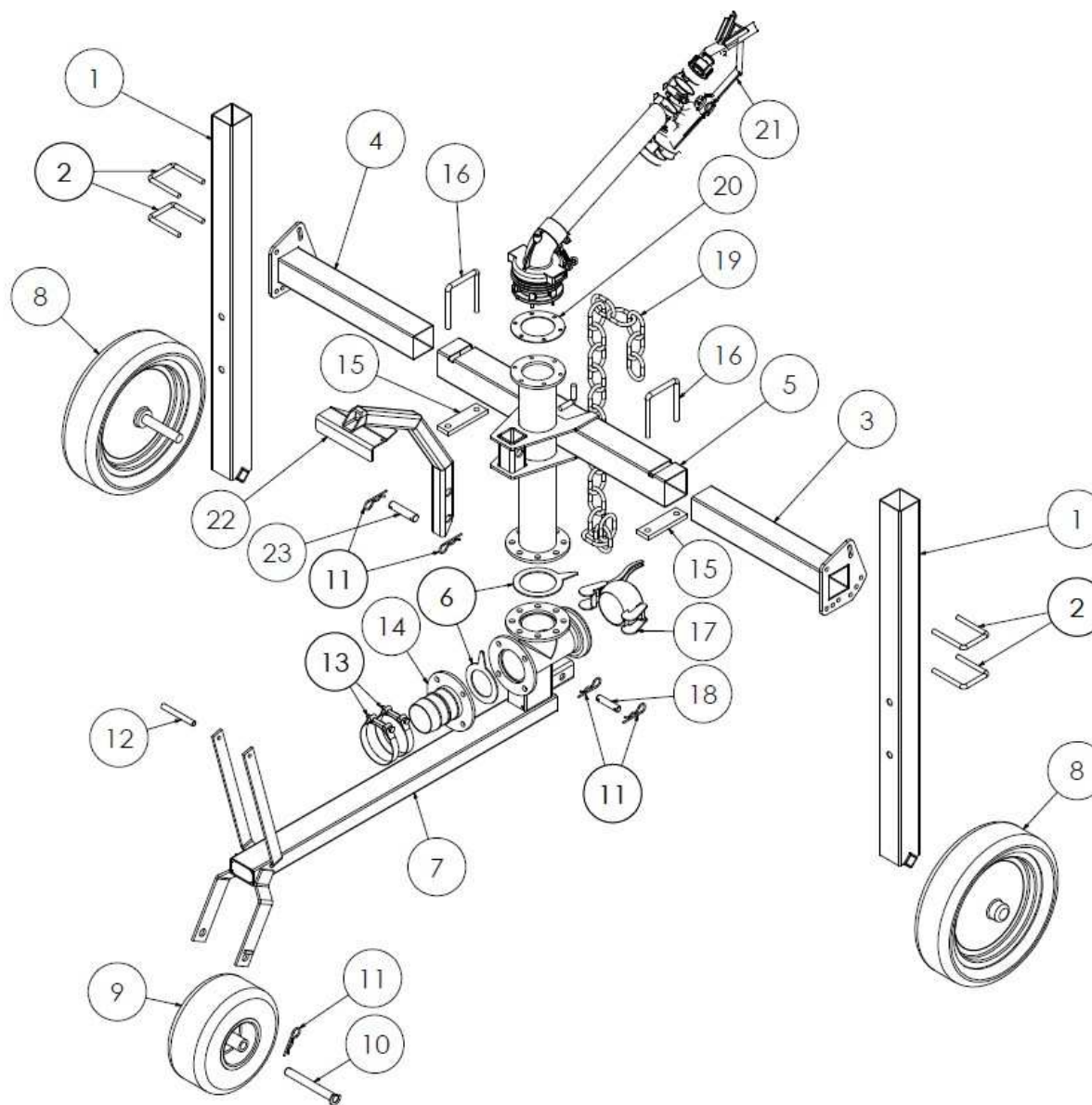


Particolare  
**IMPIANTO OLEODINAMICO**  
Part  
**HYDRAULIC DEVICE**  
Part  
**SYSTEME HYDRAULIQUE**  
Deinzelheit  
**HYDRAULISCHE ANLAGE**

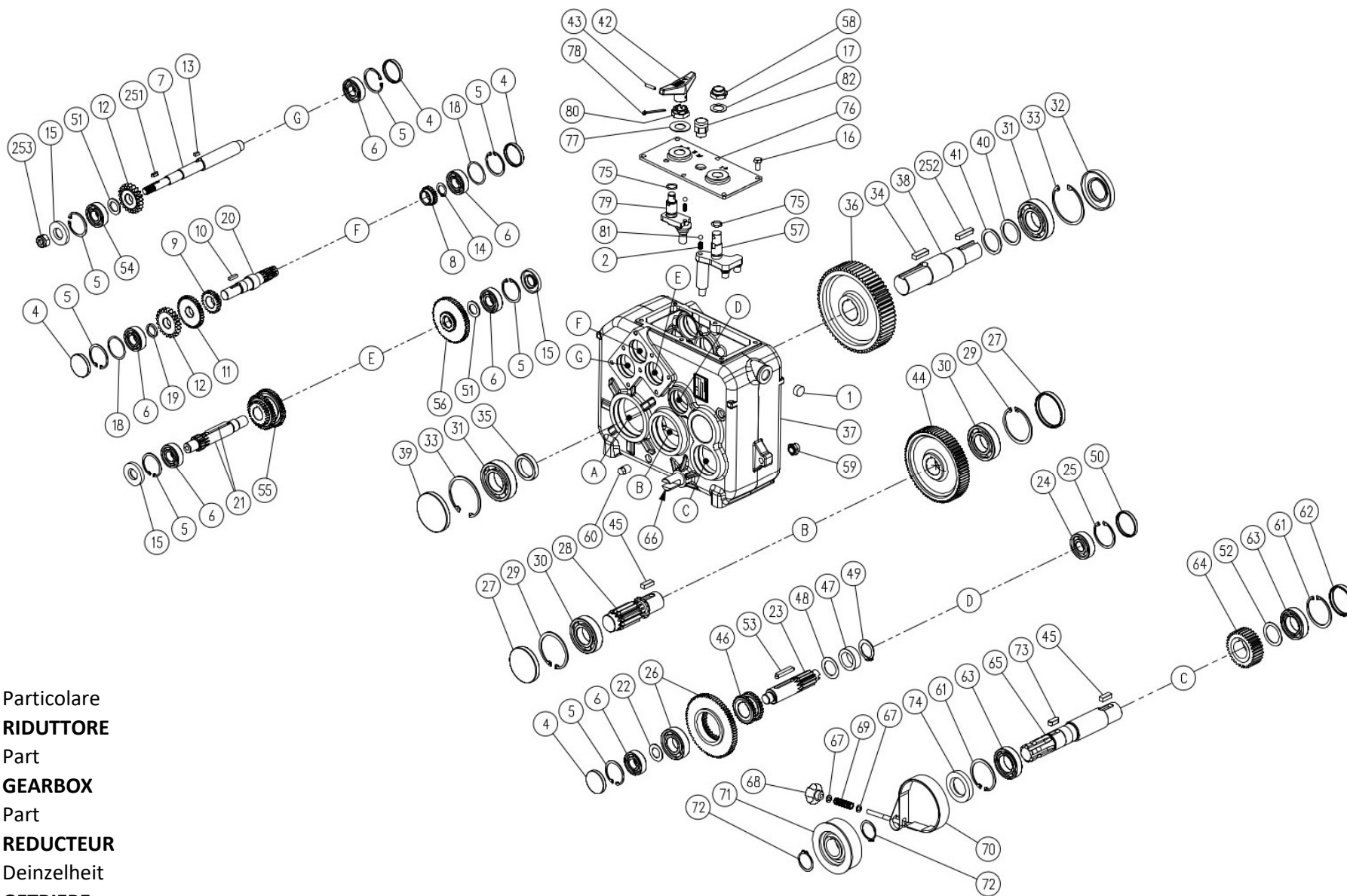


| FIG. | CODICE     | Q.TA' | DESCRIZIONE             | DESCRIPTION           | DESCRIPTION                | BESCHREIBUNG           |
|------|------------|-------|-------------------------|-----------------------|----------------------------|------------------------|
| 1    | MEC0000338 | 1     | POMPA IDRAULICA MANUALE | MANUAL HYDRAULIC PUMP | POMPE HYDRAULIQUE MANUELLE | HYDRAULISCHE HANDPUMPE |
| 2    | MEC0000043 | 1     | KIT TUBI R7 1/4         | KIT HOSE R7 1/4       | KIT TUYAU R7 1/4           | SCHLAUCH R7 1/4        |
| 3    | MEC0000383 | 2     | CILINDRO IDRAULICO      | HYDRAULIC CYLINDER    | CYLINDRE HYDRAULIQUE       | HYDRAULISCHE ZYLINDER  |
| 4    | MIN0000021 | 2     | DADO AUTOBLOCCANTE      | SELF-LOCKING NUT      | ECROU AUTOBLOQUANT         | SELBSTBEFESTIGUNGSM    |
| 5    | MEC0000346 | 2     | COLLARE DOPPIO          | DOUBLE COLLAR         | COLLIER DOUBLE             | DOPPELSCHELLE          |

Particolare  
**CARRELO**  
Part  
**TROLLEY**  
Part  
**CHARIOT**  
Deinzelheit  
**STATIV**



| FIG. | CODICE     | Q.TA' | DESCRIZIONE                          | DESCRIPTION               | DESCRIPTION                      | BESCHREIBUNG                      |
|------|------------|-------|--------------------------------------|---------------------------|----------------------------------|-----------------------------------|
| 1    | SEL0070018 | 2     | GAMBA CARRELLO                       | TROLLEY LEG               | JAMBE CHARIOT                    | STATIV RADHALTER                  |
| 2    | MIN0050002 | 4     | CAVALLOTTO FILETTATO                 | THREADED HOOK BOLT        | BOULON À CROCHET FILETÉ          | GEWINDHAKENSCH                    |
| 3    | SEL0070117 | 1     | TRAVERSA LATO TURBINA                | TURBINE SIDE CROSSBAR     | BARRE TRANSVERSALE CTÉ TURBINE   | TURBINENSEITENKREUZSTANGE         |
| 4    | SEL0070157 | 1     | TRAVERSA LATO CATENA                 | CHAIN SIDE CROSSBAR       | BARRE TRANSVERSALE CTÉ CHAÎNE    | KETTENSEITENKREUZSTANGE           |
| 5    | SEL0070010 | 1     | CORPO CARRELLO                       | TROLLEY BODY              | CORPS CHARIOT                    | STATIV MITTELROHR                 |
| 6    | MIN0030005 | 2     | GUARNIZIONE PER FLANGE CON LINGUETTA | SPRINKLER SEAL            | JOINT ARROSEUR                   | REGNERDICHTUNG                    |
| 7    | SEL0070026 | 1     | SLITTA CARRELLO                      | TROLLEY SLIDE             | COULISSEAU CHARIOT               | STATIVSCHLITTE                    |
| 8    | MEC0060024 | 2     | RUOTA CARRELLO GOMMA PIENA CON PERNO | TROLLEY SOLID WHEEL + PIN | ROUE PLEINE CHARIOT + GOUPILLE   | VOLLGUMMI STATIVRAD + BOLZEN      |
| 9    | MEC0060021 | 1     | RUOTA CARRELLO GOMMA CON BOCCOLA     | TROLLEY WHEEL + BUSH      | ROUE CHARIOT + BOUCLE            | VOLLGUMMI STATIVRAD + BÜCHSE      |
| 10   | SEL0001263 | 1     | PERNO                                | PIN                       | GOUPILLE                         | BOLZEN                            |
| 11   | MIN0000013 | 5     | COPPIGLIA                            | COTTER PIN                | GOUPILLE                         | SPLINT                            |
| 12   | SEL0001237 | 1     | TUBO PER SLITTA CARRELLO             | PIPE FOR TROLLEY SLIDE    | TUYAU POUR TRAINÉAU CHARIOT      | HOSE FÜR STATIVSCHLITTEN          |
| 13   | -          | 2     | FASCETTA IN ACCIAIO INOX             | INOX CLAMP                | COLLIER INOX                     | INOX SCHELLE                      |
| 14   | SEL0120018 | 1     | BOCCHETTONE FLANG. PER TUBO (Ø110)   | FLANGED PIPE UNION (Ø110) | MANCHON BRIDE POUR P.E. (Ø110)   | ROHRVERSCHRAUBUNG FÜR (Ø110) ROHR |
| 14   | SEL0120019 | 1     | BOCCHETTONE FLANG. PER TUBO (Ø120)   | FLANGED PIPE UNION (Ø120) | MANCHON BRIDE POUR P.E. (Ø120)   | ROHRVERSCHRAUBUNG FÜR (Ø120) ROHR |
| 14   | SEL0120020 | 1     | BOCCHETTONE FLANG. PER TUBO (Ø125)   | FLANGED PIPE UNION (Ø125) | MANCHON BRIDE POUR P.E. (Ø125)   | ROHRVERSCHRAUBUNG FÜR (Ø125) ROHR |
| 14   | SEL0120022 | 1     | BOCCHETTONE FLANG. PER TUBO (Ø135)   | FLANGED PIPE UNION (Ø135) | MANCHON BRIDE POUR P.E. (Ø135)   | ROHRVERSCHRAUBUNG FÜR (Ø135) ROHR |
| 14   | SEL0120023 | 1     | BOCCHETTONE FLANG. PER TUBO (Ø140)   | FLANGED PIPE UNION (Ø140) | MANCHON BRIDE POUR P.E. (Ø140)   | ROHRVERSCHRAUBUNG FÜR (Ø140) ROHR |
| 15   | SEL0001247 | 2     | PIATTO A 2 FORI                      | 2-HOLES PLATE             | PLAQUE A 2 TROUX                 | PLATTE MIT 2 LÖCHERN              |
| 16   | MIN0050006 | 2     | CAVALLOTTO FILETTATO                 | THREADED HOOK BOLT        | BOULON À CROCHET FILETÉ          | GEWINDHAKENSCH                    |
| 17   | RAC0080026 | 1     | TAPPO ZINCATO                        | GALVANISED CAP            | BOUCHON GALVS.                   | VERSCHLUSS, VERZINKT              |
| 18   | SEL0001273 | 1     | PERNO                                | PIN                       | GOUPILLE                         | BOLZEN                            |
| 19   | MEC0000186 | 1     | CATENA ZINCATA                       | GALVANIZED CHAIN          | CHAÎNE GALVANISEE                | VERZINKTE KETTE                   |
| 20   | MIN0030010 | 1     | GUARNIZIONE INTERFLANGIA             | TURBINE SEAL              | JOINT TURBINE                    | DICHTUNG FÜR TURBINE              |
| 21   | -          | 1     | IRRIGATORE                           | SPRINKLER                 | ARROSEUR                         | REGNER                            |
| 22   | SEL0090033 | 1     | GANCIO SOLLEVAMENTO CARRELLO         | TROLLEY LIFTER HOOK       | CROCHET POUR CHARGEUR DU CHARIOT | HEBENVORRICHTUNGSHAKEN            |
| 23   | SEL0001270 | 1     | PERNO                                | PIN                       | GOUPILLE                         | BOLZEN                            |
| -    | SEL0070072 | -     | CARRELLO COMPLETO                    | COMPLETE TROLLEY          | CHARIOT COMPLETE                 | KOMPLETT. STATIV                  |



Particolare  
**RIDUTTORE**  
 Part  
**GEARBOX**  
 Part  
**REDUCTEUR**  
 Deinzelnheit  
**GETRIEBE**





|   |                     |
|---|---------------------|
| DENOMINAZIONE SCATOLA INGRANAGGI D-744A | CODICE 9.744.061.10 |
|---|---------------------|

|   |                     |
|---|---------------------|
| DENOMINAZIONE SCATOLA INGRANAGGI D-744A | CODICE 9.744.061.10 |
|---|---------------------|

| POS. | N° DISEGNO    | PEZZI | DESCRIZIONE                    |
|------|---------------|-------|--------------------------------|
| 1    | 01202.069.041 | 1     | TAPPO X FORO 20                |
| 2    | 0.721.7101.00 | 2     | MOLLA                          |
| 3    | 0.124.7101.00 | 1     | TARGHETTA "COMER"              |
| 4    | 8.7.0.01362   | 4     | CAPPELLOTTO DI CHI. 47X7       |
| 5    | 8.5.2.01290   | 7     | ANELLO EL.SIC.X FOR 47 UNI7437 |
| 6    | 8.0.1.00405   | 6     | CUSC. SFERE CLB 6204           |
| 7    | 0.744.2019.00 | 1     | ALBERO LISCIO ENT.             |
| 8    | 0.735.5001.00 | 1     | PIGNONE CILIND. Z22 M1.5       |
| 9    | 0.744.5015.00 | 1     | PIGNONE CIL. Z24 M1.75         |
| 10   | 8.4.1.01617   | 1     | LINGUETTA UNI6604 B 5X5X20     |
| 11   | 0.744.6007.00 | 1     | CORONA CIL. Z35 M1.75          |
| 12   | 0.744.6018.00 | 2     | INGRANAGGIO Z21 M2.5           |
| 13   | 8.4.1.01511   | 1     | LINGUETTA UNI6604 B 5X5X10     |
| 14   | 8.5.1.00261   | 1     | ANELLO EL.SIC.X ALB 20 UNI7435 |
| 15   | 8.7.3.01395   | 3     | ANEL.TEN.NORM. BA 20X47X7      |
| 16   | 8.1.1.01676   | 6     | VITE Zn TE UNI5739 M8X18 8.8   |
| 17   | 0.104.7510.00 | 1     | SPES.REG. 32.0x20.3x1.0        |
| 18   | 0.457.7500.00 | 2     | SPES. REG. 40.3X46.7           |
| 19   | 0.744.7104.00 | 1     | DISTANZIALE 20.9x26.9x4        |
| 20   | 0.744.5011.00 | 1     | ALBERO PIGNONE CIL.Z12 M1.5    |
| 21   | 2.744.5029.00 | 1     | ALBERO PIGN.+ LINGUETTA        |
| 22   | 0.742.7510.00 | 1     | SPES.REG. 20.5X34.8X1          |
| 23   | 0.744.5031.00 | 1     | ALBERO PIGNONE Z12 M2          |
| 24   | 8.0.1.00035   | 1     | CUSC. SFERE CLB 6304           |
| 25   | 8.5.2.00038   | 1     | ANELLO EL.SIC.X FOR 52 UNI7437 |
| 26   | 2.744.6010.00 | 1     | INGRANAGGIO I.D.+ CUSC.6206    |
| 27   | 8.7.0.00744   | 2     | CAPPELLOTTO DI CHI. 72X10      |
| 28   | 0.744.5004.00 | 1     | ALBERO PIGNONE CIL.Z12 M2.75   |
| 29   | 8.5.2.00131   | 2     | ANELLO EL.SIC.X FOR 72 UNI7437 |
| 30   | 8.0.1.00870   | 2     | CUSC. SFERE CLB 6207           |
| 31   | 8.0.1.00871   | 2     | CUSC. SFERE CLB 6208           |
| 32   | 8.7.3.00027   | 1     | ANEL.TEN.NORM. BA 40X80X10     |
| 33   | 8.5.2.00030   | 2     | ANELLO EL.SIC.X FOR 80 UNI7437 |
| 34   | 8.4.1.00966   | 1     | LING. TEMPRATA B 12X8X35       |
| 35   | 0.285.7102.00 | 1     | DISTANZIALE 40.3x54x10.5       |
| 36   | 0.744.6000.00 | 1     | CORONA CIL. Z62 M2.75          |
| 37   | 0.744.0504.00 | 1     | SCATOLA                        |
| 38   | 0.744.3000.00 | 1     | ALBERO USCITA 35               |
| 39   | 8.7.0.00790   | 1     | CAPPELLOTTO DI CHI. 80X10      |
| 40   | 0.244.7520.00 | 1     | SPES.REG. 51.5x40.3x2.0        |
| 41   | 0.244.7525.00 | 1     | SPES.REG. 51.5x40.3x2.5        |
| 42   | 1.721.7002.00 | 1     | MANOPOLA                       |
| 43   | 8.4.5.00934   | 1     | SPINA EL/TP.PES/ 5X24DIN1481   |
| 44   | 0.744.6001.00 | 1     | CORONA CIL. Z73 M2             |
| 45   | 8.4.1.00992   | 2     | LING. TEMPRATA B 10X8X25       |
| 46   | 0.744.7000.00 | 1     | BOCCOLA X I.D.                 |
| 47   | 0.744.7106.00 | 1     | DISTANZIALE 30.1x44.5x15       |
| 48   | 0.102.7510.00 | 1     | SPES.REG. 44.0x30.3x1.0        |
| 49   | 8.5.1.01082   | 1     | ANEL.SIC.XALB.H=2 30 UNI7436   |
| 50   | 8.7.0.00693   | 1     | CAPPELLOTTO DI CHI. 52X7       |
| 51   | 0.104.7525.00 | 2     | SPES.REG. 32.0x20.3x2.5        |
| 52   | 0.259.7513.00 | 1     | SPES.REG. 48.0x35.3x1.3        |
| 53   | 0.744.7112.00 | 1     | LINGUETTA SAGOMATA             |
| 54   | 8.0.1.01945   | 1     | CUSC. SFERE CLA 6204           |

| POS. | N° DISEGNO    | PEZZI | DESCRIZIONE                    |
|------|---------------|-------|--------------------------------|
| 55   | 2.744.5007.00 | 1     | COMPOSTO INGRANAGGIO           |
| 56   | 0.744.6003.00 | 1     | CORONA CIL.+ I.D. Z58 M1.5     |
| 57   | 2.744.7018.00 | 1     | LEVA I.D.                      |
| 58   | 0.744.7105.00 | 1     | DADO AD ACCIACC. M20X1.5       |
| 59   | 8.6.4.00273   | 1     | SPIA LIV.FILET.guar3/8"GASTLA2 |
| 60   | 8.6.5.00006   | 1     | TAPPO CON.ESAG.EST. 3/8"GAS    |
| 61   | 8.5.2.00007   | 2     | ANELLO EL.SIC.X FOR 62 UNI7437 |
| 62   | 8.7.0.00743   | 1     | CAPPELLOTTO DI CHI. 62X10      |
| 63   | 8.0.1.00000   | 2     | CUSC. SFERE CLB 6007           |
| 64   | 0.744.5002.00 | 1     | PIGNONE CILINDRICO Z34 M2      |
| 65   | 0.744.3001.00 | 1     | ALBERO P.T.O. 1"3/8 Z6         |
| 66   | 0.744.7005.00 | 1     | PERNO                          |
| 67   | 8.3.2.00439   | 2     | ROS.X VITI UNI6592 8,4X14      |
| 68   | 8.9.1.01713   | 1     | POMOLO 4 LOBI 731-40 M8        |
| 69   | 0.735.7103.00 | 1     | MOLLA X FRENO                  |
| 70   | 2.744.7006.00 | 1     | NASTRO X FRENO                 |
| 71   | 0.744.7004.00 | 1     | TAMBURO FRENO                  |
| 72   | 8.5.1.00005   | 2     | ANELLO EL.SIC.X ALB 35 UNI7435 |
| 73   | 8.4.1.00232   | 1     | LINGUETTA UNI6604 A 10X8X25    |
| 74   | 8.7.3.00003   | 1     | ANEL.TEN.NORM. BA 35X62X10     |
| 75   | 8.7.6.00191   | 2     | GUARN.TEN.O-RING OR-3062       |
| 76   | 2.744.1321.00 | 1     | COPERCHIO CAMBIO 4 VEL.        |
| 77   | 8.5.5.01316   | 1     | MOLLA A TAZZA 40X20.4X1.5      |
| 78   | 8.4.7.00760   | 1     | COPIGLIA UNI1336 B4X35         |
| 79   | 2.744.7002.00 | 1     | LEVA CAMBIO 4VEL.              |
| 80   | 8.2.2.00997   | 1     | D.ES.INT.UNI5594 M20X1,5 PR80B |
| 81   | 8.5.9.00166   | 2     | SFERA 5/16" 7,9MM              |
| 82   | 8.6.7.00269   | 1     | TAPPO SFI.ANTICOND. 1/2"GAS    |
|      | A.744.009     | 1     |                                |
| 251  | 8.4.1.02097   | 1     | LINGUETTA UNI6604 A 5X5X16     |
| 252  | 8.4.1.00314   | 1     | LINGUETTA UNI6604 A 10X8X45    |
| 253  | 8.2.6.01207   | 1     | DADO ES.AUTOBLOC. M14 H14      |



Via Foglia, 2 61026 Lunano (PU) Italia

Tel. 0722/700315 – fax 0722/700332

[www.ferbo.net](http://www.ferbo.net) - [info@ferbo.net](mailto:info@ferbo.net)