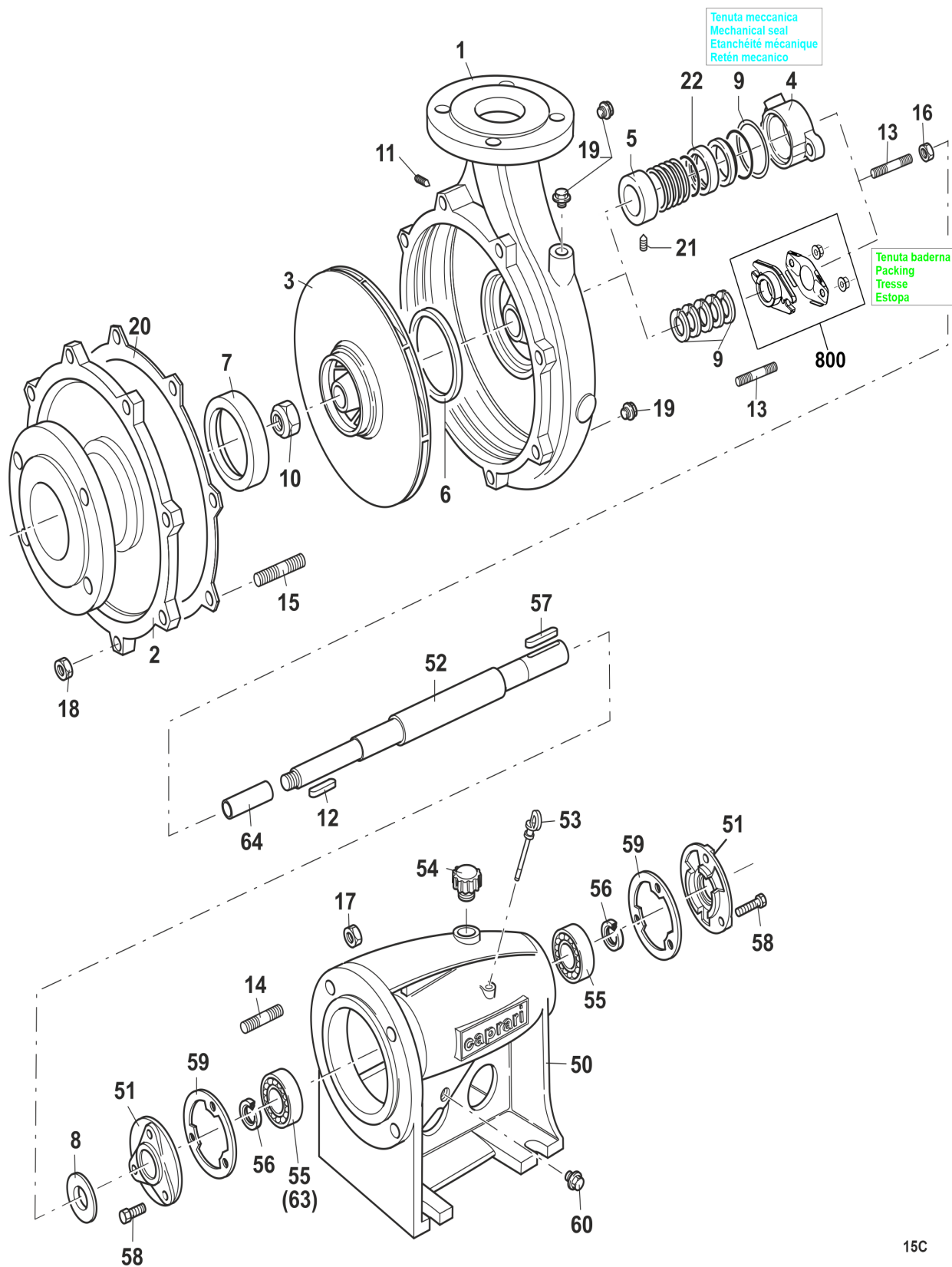


780417 - MEC-A3/80A HORIZONTAL PUMP



COMPONENTS LIST

Pos.	Code	Serial N°	Description	Qty
1	400083	MEC80/260-1	DELIVERY CASING	1 PZ
2	400394	MEC80/260-3	SUCTION COVER	1 PZ
3	400811	MEC80/260-5A	IMPELLER D.260	1 PZ
5	420822	MEC80/260-43	LANTERN RING	1 PZ
6	440538	MEC80/200-165A	WEAR RING	1 PZ
7	440539	MEC80/200-165B	WEAR RING	1 PZ
8	310836	MEC80/260-18	DEFLECTOR	1 PZ
9	330345	MEC80/260-33	PACKING 8X8	5 PZ
10	330133	DS02310	NON-STANDARD NUT M24X2X21 UNI7474 (TO DRAW)	1 PZ
11	300745	GC0735	DOWEL M10X12 UNI5923/DIN913-12.9	1 PZ
12	310434	LCH0760	FEATHER KEY A8X7X35 (TOL.UNI6604)-C50	1 PZ
13	300394	PN02007	STUD M10(6G/6G)X50 UNI5909/DIN938	2 PZ
14	300367	PN0722	STUD M16(6G/6G)X35 UNI5909/DIN938-5.8	4 PZ
15	300340	PN01207	STUD M12(6G/6G)X28 UNI5909/DIN938-5.8	8 PZ
17	310031	DN0724	NUT M16 UNI5588/DIN934-6S	4 PZ
18	310025	DN0676	NUT M12 UNI5588/DIN934-6S	8 PZ
19	310714	TF01304	PLUG 3/8"GAS CONICAL (AFL N.290/292)	3 PZ
20	330463	OR01093	OR SEAL 266,29X3,53 OR41050 (AP)	1 PZ
	889128	KIT P51/1-8	STUFFING BOX KIT	1 PZ
50	440806	MEC3A-178	PEDESTAL	1 PZ
51	410672	MEC3A-9	BEARING COVER	2 PZ
52	411145	MEC3AU-1007	PUMP SHAFT + CSN L.576	1 PZ
55	350045	CSN0172	BEARING 6307/C3	2 PZ
53	310817	MEC3A-26	OIL DIPSTICK L=94	1 PZ
54	310743	MEC1A-28	OIL FILTER PLUG	1 PZ
56	330259	AT01785	SEAL RING 35X52X7	2 PZ
57	310462	LCH0458	FEATHER KEY A10X8X70 UNI6604-C50	1 PZ
58	300055	VTE0116	SCREW M8X20 UNI5739/DIN933-8.8	6 PZ
59	330825	MEC3A-146	GASKET FOR FLANGE	2 PZ
60	310714	TF01304	PLUG 3/8"GAS CONICAL (AFL N.290/292)	1 PZ
64	410862	MEC3AU-220	SHAFT SPACER SLEEVE	1 PZ