

CAPRARI S.p.A

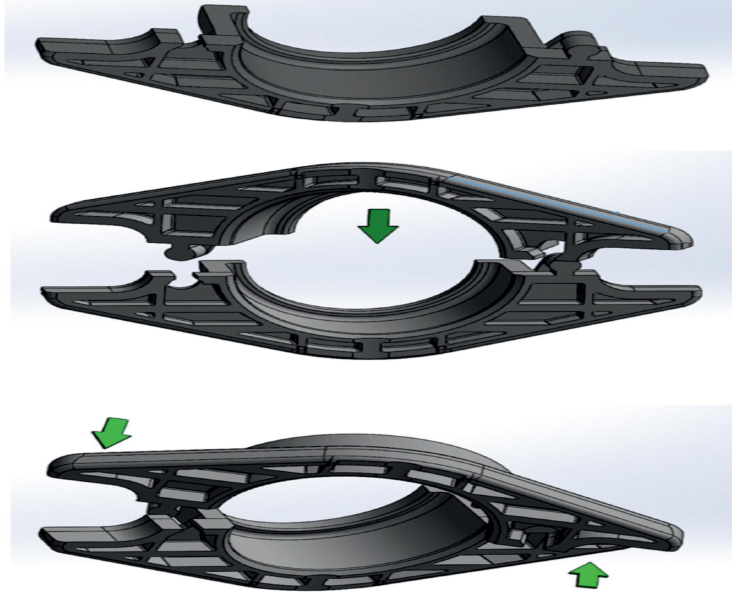
41123 MODENA (ITALY) - VIA EMILIA OVEST, 900
Tel. +39 059897611 - Fax +39 059 897897
email: info@caprari.it - www.caprari.com



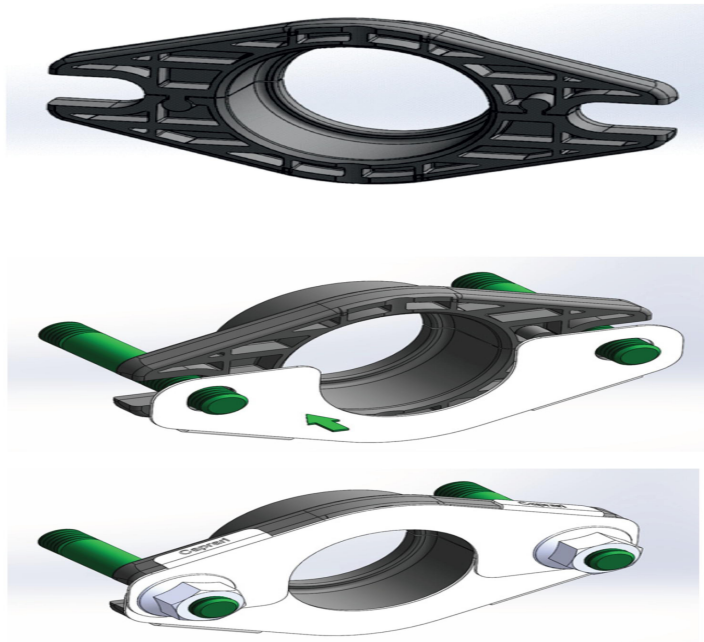
781083 - MEC-AG3/125A HORIZONTAL PUMP



SEQUENZA MONTAGGIO PREMITRECCIA
SEQUENCE ASSEMBLY STUFFING BOX



Codice n°: 0037778
Edizione: 12 / 2015



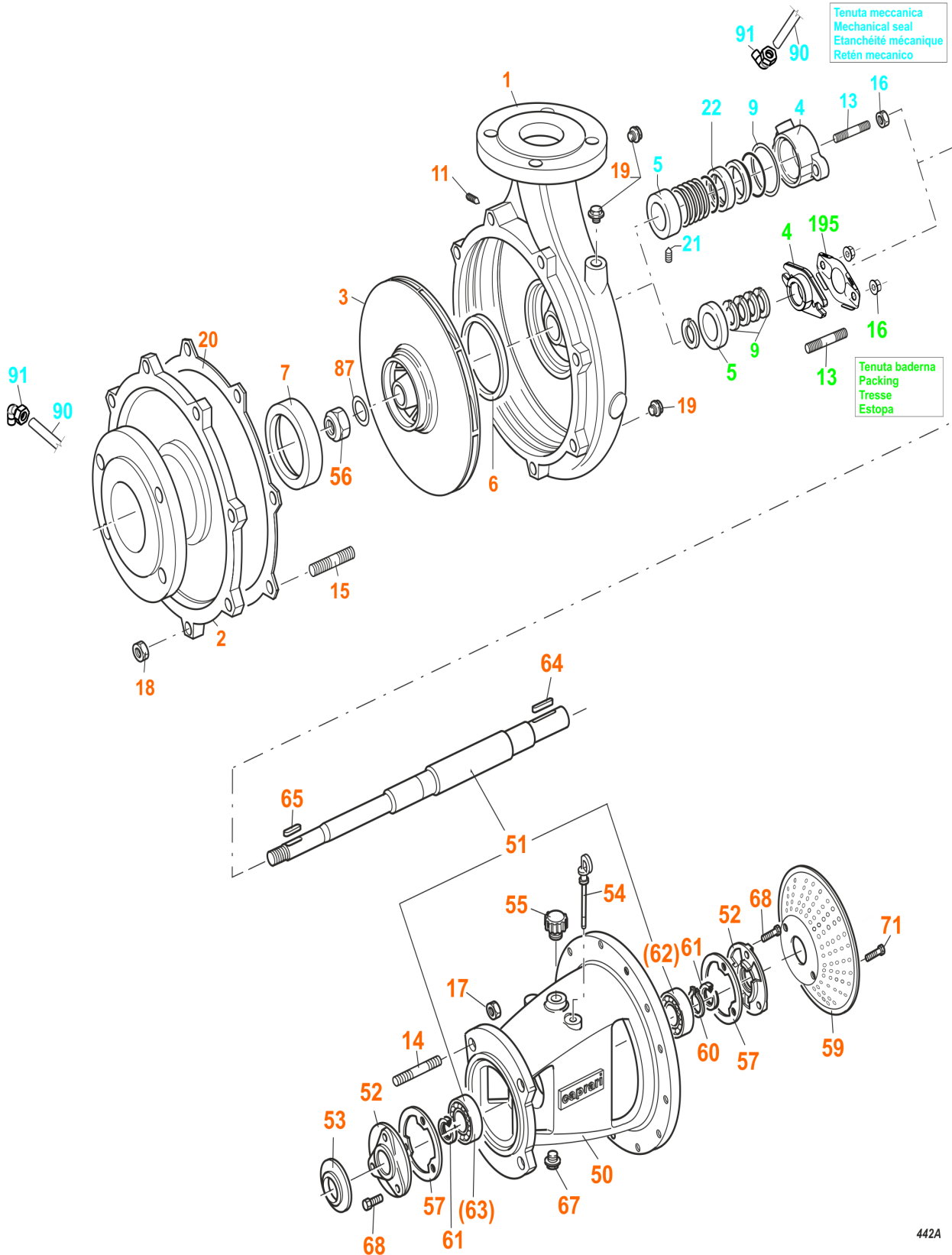
CAPRARI S.p.A. VIA EMILIA OVEST, 900 - 41123 MODENA (ITALY)
+39 059 897611 - Fax +39 059 897897 - www.caprari.com - e-mail: info@caprari.it

CAPRARI S.p.A

41123 MODENA (ITALY) - VIA EMILIA OVEST, 900
 Tel. +39 059897611 - Fax +39 059 897897
 email: info@caprari.it - www.caprari.com



781083 - MEC-AG3/125A HORIZONTAL PUMP



COMPONENTS LIST

Pos.	Code	Serial N°	Description	Qty
1	400106	MEC125/330-1	DELIVERY CASING	1 PZ
2	400403	MEC125/330-3	SUCTION COVER	1 PZ
3	401660	MEC125MG/330-5A	IMPELLER D.330	1 PZ
6	440542	MEC125/420-165A	WEAR RING	1 PZ
7	440543	MEC125/420-165B	WEAR RING	1 PZ
11	300760	GC0726	DOWEL M14X16 UNI5923/DIN913-12.9	1 PZ
14	300380	PN0721	STUD M20(6G/6G)X45 UNI5909/DIN938-5.8	4 PZ
15	300361	PN0733	STUD M14(6G/6G)X30 UNI5909/DIN938-5.8	10 PZ
17	310034	DN0723	NUT M20 UNI5588/DIN934-6S	4 PZ
18	310028	DN0734	NUT M14 UNI5588/DIN934-6S	10 PZ
19	310714	TF01304	PLUG 3/8"GAS CONICAL (AFL N.290/292)	3 PZ
20	330737	MEC125/330-141	GASKET FOR SUCTION COVER	1 PZ
5	420823	MEC100/420-43	LANTERN RING	1 PZ
9	330351	MEC100/420/B-33	PACKING 10X10 TIPO:GF7700	5 PZ
13	300398	PN02011	STUD M12(6G/6G)X65 UNI5909/DIN938	2 PZ
	889129	KIT P65/1-8	STUFFING BOX KIT	1 PZ
50	420306	MECMG100-32	LANTERN BRACKET	1 PZ
51	411317	MEC100AG/1-1007	PUMP SHAFT + CSN L.562	1 PZ
60	310524	AE0390	CIRCLIP 45 UNI7435 FOR SHAFT	1 PZ
62	350115	CSN0851	BEARING 3309/C3 (N.12 BALLS)	1 PZ
63	350128	CSN02220	BEARING NJ309E	1 PZ
52	410673	MEC4A-9	BEARING COVER	2 PZ
53	310837	MEC100/420-18	DEFLECTOR	1 PZ
54	310828	MECMG-26	OIL DIPSTICK L=178	1 PZ
55	310743	MEC1A-28	OIL FILTER PLUG	1 PZ
56	310052	DS0032246	NON-STANDART NUT M27X2X22 UNI5588-A2 (TO DRAW)	1 PZ
57	330826	MEC4A-146	GASKET FOR FLANGE	2 PZ
59	460364	MECMG80/100-240	PTO SHAFT GUARD	1 PZ
61	330276	AT0213	SEAL RING 45X65X10	2 PZ
64	310981	LCH02551	FEATHER KEY A14X9X80 UNI6604-C50 (TO DRAW)	1 PZ
65	310982	LCH02552	FEATHER KEY A10X8X40 UNI6604-C50 (TO DRAW)	1 PZ
67	310714	TF01304	PLUG 3/8"GAS CONICAL (AFL N.290/292)	1 PZ
68	300080	VTE0119	SCREW M10X25 UNI5739/DIN933-8.8	6 PZ
71	300206	VTT02591	SCREW M6X10 UNI5931/DIN912-8.8	2 PZ
87	310343	RLS0032252	WASHER 28,4X48,5X5,8 (NL27SP)	1 PZ