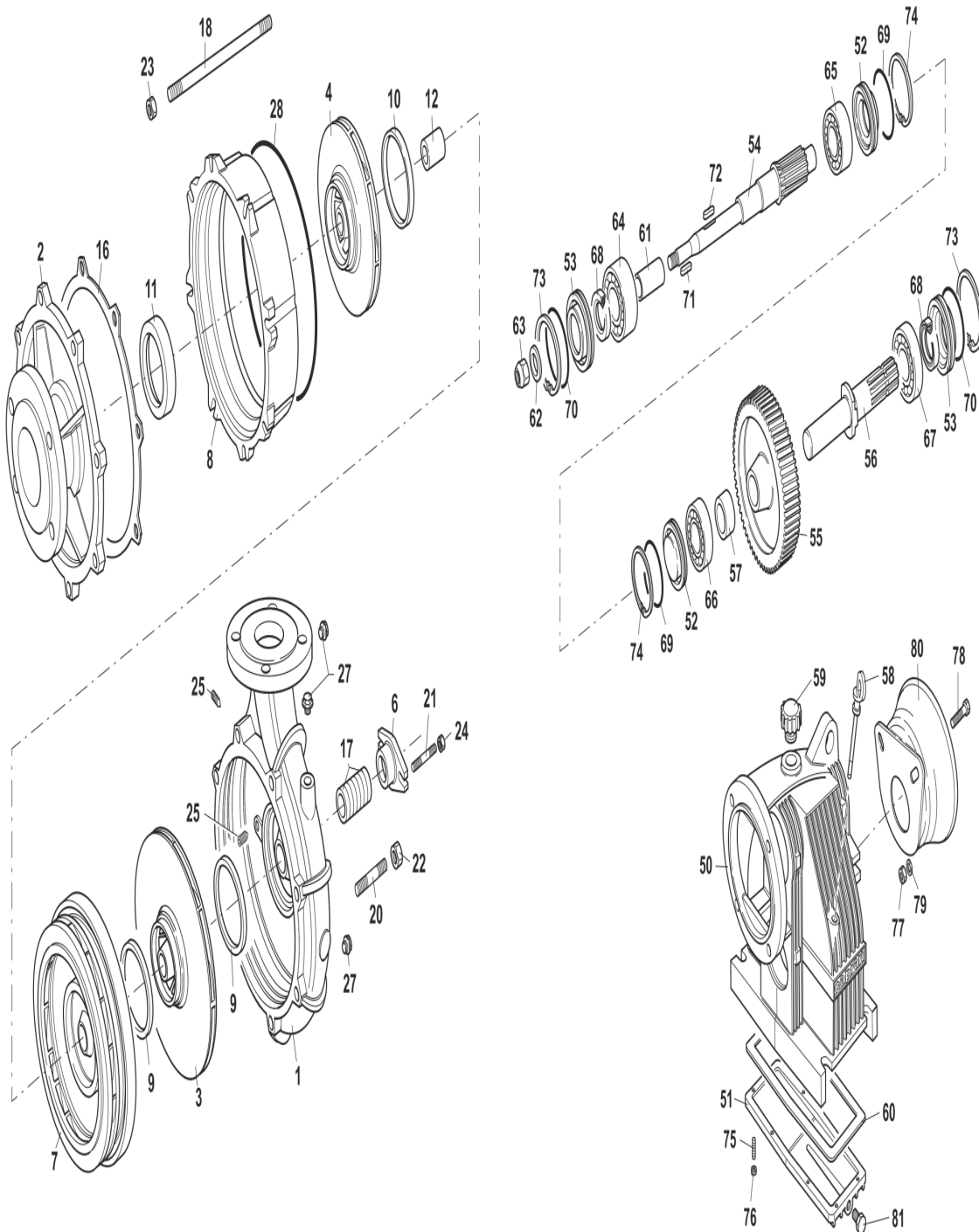


# CAPRARI S.p.A

41123 MODENA (ITALY) - VIA EMILIA OVEST, 900  
 Tel. +39 059897611 - Fax +39 059 897897  
 email: info@caprari.it - www.caprari.com



## 770300 - MEC-DMR50-1/2A1:5,37 P.T.O. PUMP



TAV 5

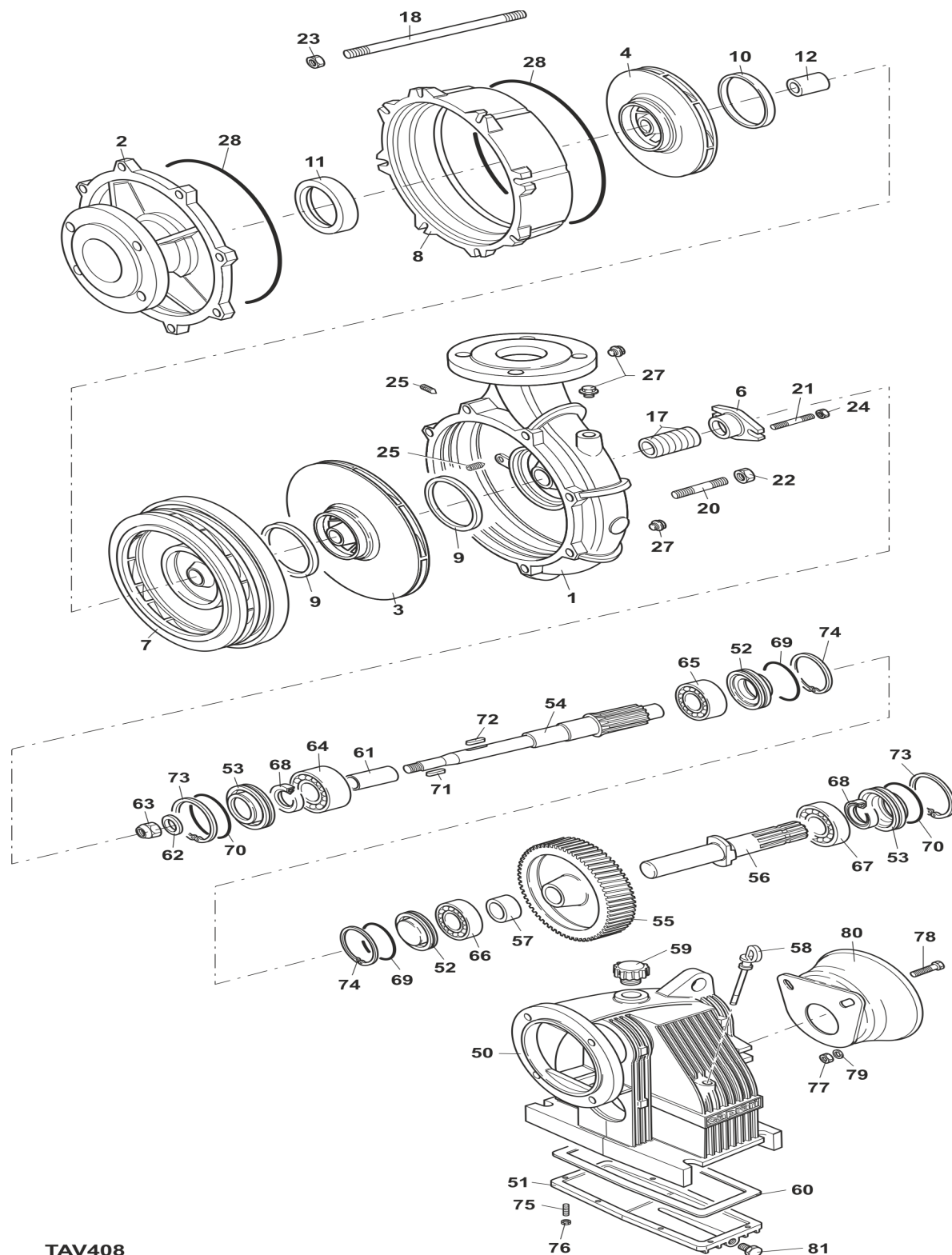
TAV 4

# CAPRARI S.p.A

41123 MODENA (ITALY) - VIA EMILIA OVEST, 900  
 Tel. +39 059897611 - Fax +39 059 897897  
 email: info@caprari.it - www.caprari.com



## 770300 - MEC-DMR50-1/2A1:5,37 P.T.O. PUMP



TAV408

## COMPONENTS LIST

Pos.	Code	Serial N°	Description	Qty
	600254	MECM50-1/260/2A	HORIZONTAL HYDRAULIC PART	1 PZ
1	400077	MEC50/260-1	DELIVERY CASING	1 PZ
2	400388	MEC50/260-3	SUCTION COVER	1 PZ
3	400805	MEC50/260-5A	IMPELLER D.260	1 PZ
4	400801	MEC40/200-5A	IMPELLER D.205	1 PZ
6	410632	MEC50/260-8	STUFFING BOX	1 PZ
7	430383	MECM50-73	DIFFUSER	1 PZ
8	430393	MECM65-74	STAGE CASING	1 PZ
9	440534	MEC50/260-165A	WEAR RING	2 PZ
10	440558	MECM50-1-165	WEAR RING	1 PZ
11	440559	MECM50-1/2-165	WEAR RING	1 PZ
12	410715	MECM50/1-10	SPACER SLEEVE	1 PZ
16	330722	MEC50/260-141	GASKET FOR SUCTION COVER	2 PZ
17	330344	MEC50/260-33	PACKING	7 PZ
18	300591	PS01094	SPECIAL STUD M12X105	8 PZ
20	300361	PN0733	STUD M14(6G/6G)X30 UNI 5909-5.8	4 PZ
21	300394	PN02007	STUD M10(6G/6G)X50 UNI5909	2 PZ
22	310028	DN0734	NUT M14 UNI 5588-6S	4 PZ
23	310025	DN0676	NUT M12 UNI 5588-6S	8 PZ
24	310201	DN01374	NUT M10 UNI5588-A2	2 PZ
25	300745	GC0735	DOWEL M10X12 UNI 5923-12.9	2 PZ
27	310714	TF01304	PLUG 3/8"GAS CONICAL (AFL N.290/292)	3 PZ
28	330463	OR01093	OR SEAL 266,29X3,53 OR41050 (AP)	1 PZ
	610030	MEC-2DMR/2 R.1:5,37	STEP UP GEAR BOX MEC-D	1 PZ
50	420510	MEC2D-34	GEAR CASING	1 PZ
51	420540	MEC2D-35	GEAR CASING COVER	1 PZ
52	430721	MEC2D-83A	RADIAL SHAFT SEAL RING COVER	2 PZ
53	430722	MEC2D-83B	RADIAL SHAFT SEAL RING COVER	2 PZ
54	420769	MEC2DMR/2-39 1:5,37	DRIVEN GEAR WHELL	1 PZ
55	420568	MEC2D-36 R.1:5,37	DRIVING GEAR WHELL	1 PZ
56	420784	MEC2D-40	SPLINED SHAFT (PTO)	1 PZ
57	410754	MEC2D-11	SPACER SLEEVE	1 PZ
58	310819	MEC2D-26	OIL DIPSTICK	1 PZ
59	310743	MEC1A-28	OIL FILTER PLUG	1 PZ
60	330835	MEC2D-149	GASKET FOR GEAR CASING	1 PZ
61	410861	MEC2AU-220	SHAFT SPACER SLEEVE	1 PZ
62	310835	MEC50/260-18	DEFLECTOR	1 PZ
63	330131	DS02308	NON-STANDARD NUT M14X1.5X14 UNI7474	1 PZ
64	350113	CSN0943	BEARING 3307/C3	1 PZ
65	350112	CSN01134	BEARING 3306/C3	1 PZ
66	350023	CSN0728	BEARING 6207	1 PZ
67	350045	CSN0172	BEARING 6307/C3	1 PZ
68	330259	AT01785	SEAL RING 35x52x7	2 PZ
69	330426	OR0729	OR SEAL 65,09X3,53 OR168 (AP)	2 PZ
70	330428	OR0730	OR SEAL 73,03X3,53 OR176(AP)	2 PZ
71	310421	LCH0741	FEATHER KEY A5X5X25 UNI6604-C50	1 PZ
72	310427	LCH0732	FEATHER KEY A6X6X30 (TOL.UNI6604)-C50	1 PZ

73	310574	AE0212	CIRCLIP 80 UNI 7437 FOR HOLES	2 PZ
74	310572	AE0351	CIRCLIP 72 UNI 7437 FOR HOLES	2 PZ
75	300310	PN0681	STUD M6(6G/6G)X14 UNI 5909-5.8	8 PZ
76	310012	DN0731	NUT M6 UNI 5588-6S	8 PZ
77	310022	DN01067	NUT M10 UNI 5588-6S-F.ZN 3 II	2 PZ
78	300084	VTE0331	SCREW M10X40 UNI 5739-8.8-F.ZN 3 II	2 PZ
79	310316	RLS060	WASHER 11X23X2-F.ZN 3 II	2 PZ
80	460301	MEC1D-240	PTO SHAFT GUARD	1 PZ
81	310722	TF01399	PLUG 1/4"GAS	1 PZ