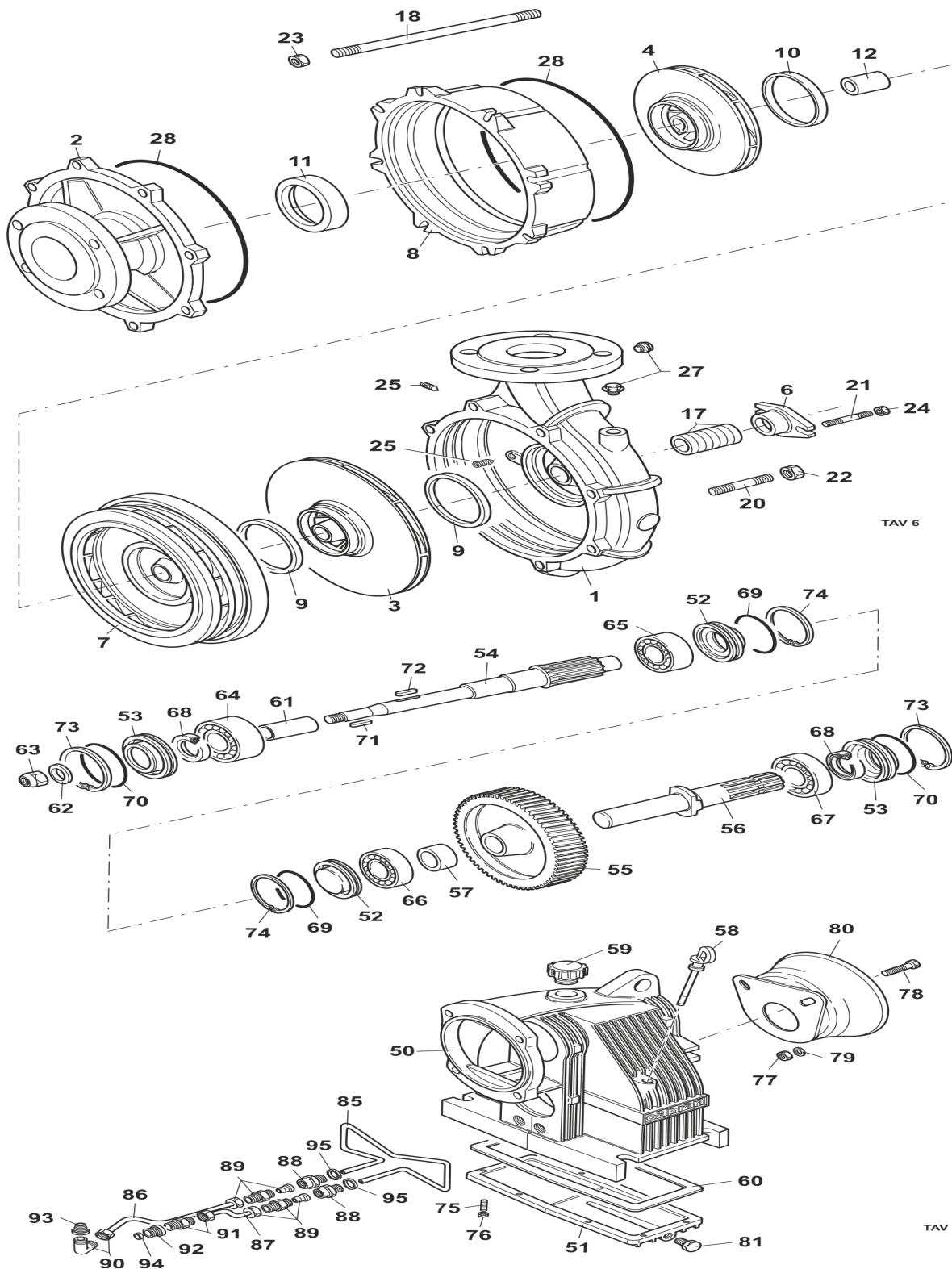


CAPRARI S.p.A

41123 MODENA (ITALY) - VIA EMILIA OVEST, 900
 Tel. +39 059897611 - Fax +39 059 897897
 email: info@caprari.it - www.caprari.com



770294 - MEC-DMR80-3/2C1:3,83 P.T.O. PUMP



TAV 6

TAV 7

COMPONENTS LIST

Pos.	Code	Serial N°	Description	Qty
	600356	MECM80-3/260/2A	HORIZONTAL HYDRAULIC PART	1 PZ
1	400083	MEC80/260-1	DELIVERY CASING	1 PZ
2	400394	MEC80/260-3	SUCTION COVER	1 PZ
3	460931	MEC80/260-5C	IMPELLER d.240	1 PZ
4	400810	MEC80/200-5A	IMPELLER D.205	1 PZ
6	410633	MEC80/260-8	STUFFING BOX	1 PZ
7	430378	MECM80-3-73	DIFFUSER	1 PZ
8	430390	MECM80-3-74	STAGE CASING	1 PZ
9	440538	MEC80/200-165A	WEAR RING	2 PZ
10	440538	MEC80/200-165A	WEAR RING	1 PZ
11	440539	MEC80/200-165B	WEAR RING	1 PZ
12	410711	MECM80/1-10	SPACER SLEEVE	1 PZ
17	330345	MEC80/260-33	PACKING	7 PZ
18	300547	PS01628	SPECIAL STUD M12X120	8 PZ
20	300367	PN0722	STUD M16(6G/6G)X35 UNI 5909-5.8	4 PZ
21	300394	PN02007	STUD M10(6G/6G)X50 UNI5909	2 PZ
22	310031	DN0724	NUT M16 UNI 5588-6S	4 PZ
23	310025	DN0676	NUT M12 UNI 5588-6S	8 PZ
24	310201	DN01374	NUT M10 UNI5588-A2	2 PZ
25	300745	GC0735	DOWEL M10X12 UNI 5923-12.9	2 PZ
27	310714	TF01304	PLUG 3/8"GAS CONICAL (AFL N.290/292)	4 PZ
28	330463	OR01093	OR SEAL 266,29X3,53 OR41050 (AP)	2 PZ
	610029	MEC2,5-3DMR/2 1:3,83	STEP UP GEAR BOX MEC-D	1 PZ
50	420522	MEC2,5-3DMR-34	GEAR CASING	1 PZ
51	420540	MEC2D-35	GEAR CASING COVER	1 PZ
52	430721	MEC2D-83A	RADIAL SHAFT SEAL RING COVER	2 PZ
53	430726	MEC2,5D-83B	RADIAL SHAFT SEAL RING COVER	2 PZ
54	420760	MEC2,5-3DMR/2-39 3,8	DRIVEN GEAR WHELL	1 PZ
55	420584	MEC2,5D-36 R.1:3,83	DRIVING GEAR WHELL	1 PZ
56	420788	MEC2,5D-40	SPLINED SHAFT (PTO)	1 PZ
57	410754	MEC2D-11	SPACER SLEEVE	1 PZ
58	310819	MEC2D-26	OIL DIPSTICK	1 PZ
59	310743	MEC1A-28	OIL FILTER PLUG	1 PZ
60	330835	MEC2D-149	GASKET FOR GEAR CASING	1 PZ
61	410862	MEC3AU-220	SHAFT SPACER SLEEVE	1 PZ
62	310836	MEC80/260-18	DEFLECTOR	1 PZ
63	330132	DS02309	NON-STANDARD NUT M18X1.5X16 UNI7474	1 PZ
64	350114	CSN0944	BEARING 3308/C3 (N.12 BALLS)	1 PZ
65	350122	CSN01431	BEARING NJ306E	1 PZ
66	350023	CSN0728	BEARING 6207	1 PZ
67	350040	CSN0228	BEARING 6308/C3	1 PZ
68	330263	AT0362	SEAL RING 40x52x7	2 PZ
69	330426	OR0729	OR SEAL 65,09X3,53 OR168 (AP)	2 PZ
70	330427	OR01428	OR SEAL 78,74X5,34 OR6312 (AP)	2 PZ
71	310427	LCH0732	FEATHER KEY A6X6X30 (TOL.UNI6604)-C50	1 PZ
72	310434	LCH0760	FEATHER KEY A8X7X35 (TOL.UNI6604)-C50	1 PZ
73	310577	AE0348	CIRCLIP 90 UNI 7437 FOR HOLES	2 PZ

74	310572	AE0351	CIRCLIP 72 UNI 7437 FOR HOLES	2 PZ
75	300310	PN0681	STUD M6(6G/6G)X14 UNI 5909-5.8	8 PZ
76	310012	DN0731	NUT M6 UNI 5588-6S	8 PZ
77	310022	DN01067	NUT M10 UNI 5588-6S-F.ZN 3 II	2 PZ
78	300082	VTE0766	SCREW M10X35 UNI 5739-8.8-F.ZN 3 II	2 PZ
79	310316	RLS060	WASHER 11X23X2-F.ZN 3 II	2 PZ
80	460301	MEC1D-240	PTO SHAFT GUARD	1 PZ
81	310722	TF01399	PLUG 1/4"GAS	1 PZ
85	540242	MEC2,5-3DMR-116	COOLING PIPE	1 PZ
86	540243	MEC2,5-3DMR-116A	COOLING PIPE	1 PZ
87	540244	MEC2,5-3DMR-116B	COOLING PIPE	1 PZ
88	440325	MEC2,5-3DMR-150	THREADED CONNECTOR	2 PZ
89	310797	RAC01688	NIPPLE G8-PL (A+P EO)	2 PZ
90	310796	RAC01687	NIPPLE WE8-PLR (A+P EO)	1 PZ
91	310795	RAC01686	NIPPLE GE8-PLR (A+P EO)	1 PZ
92	310794	RAC01685	NIPPLE RC3/8-RP1/4	1 PZ
93	310772	RAC01416	NIPPLE N4-3/8"X1/4"GAS UNI5207(AFL241)	1 PZ
94	310379	RLS01684	WASHER 3X12,7X5	1 PZ
95	310366	RLS02590	WASHER 18X24X2 R40-FE/ZNB 5C A1	2 PZ