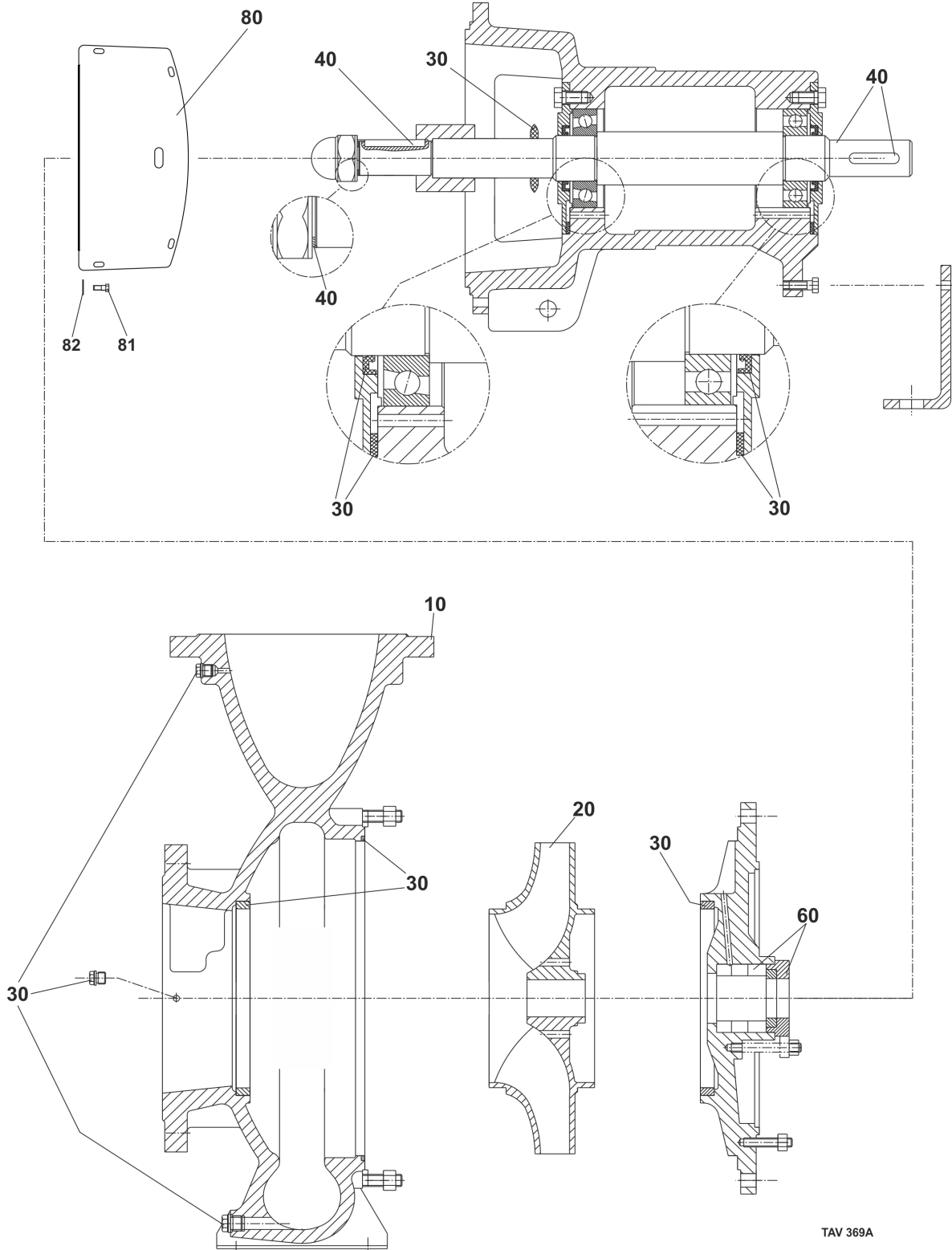


# CAPRARI S.p.A

41123 MODENA (ITALY) - VIA EMILIA OVEST, 900  
 Tel. +39 059897611 - Fax +39 059 897897  
 email: info@caprari.it - www.caprari.com



## 790896 - NC200-400 HORIZONTAL PUMP WET END



**COMPONENTS LIST**

<b>Pos.</b>	<b>Code</b>	<b>Serial N°</b>	<b>Description</b>	<b>Qty</b>
10	420869	NC200/40/01-1	DELIVERY CASING	1 PZ
20	500326	NC200/40/03-5	IMPELLER D.409	1 PZ
30	889039	KIT1 200-400(200/40) -141	KIT WEAR RINGS - GASKETS - O-RINGS	1 PZ
40	889078	KIT NC200-250/400	PUMP SHAFT AND ACCESSORIES KIT	1 PZ
50	889051	KIT3 CSN D=55	BEARINGS KIT	1 PZ
60	330303	TFR02483	MECHANICAL SEAL JC PB01K-53/L05 Q2Q2PGG	1 PZ